

PARSONS
FUNERAL HOME
Oxygen Equipped
Ambulance Service
Ph. 285-2621 Collect, Olton

THE HART BEAT

FARMERS
STATE BANK
Member F.D.I.C.
HART, TEXAS

Consolidated With The Hart Dispatch, July 26, 1962

VOLUME 4

HART, CASTRO COUNTY, TEXAS, THURSDAY, JANUARY 27, 1966

NUMBER 29



WINTER WONDERLAND—Winter finally came to Hart along with the rest of the Panhandle and the result was a white blanket over the landscape, which included this tree on the south side of town.

Hart Area Under Cattle Quarantine

Castro county was one of five adjoining area counties placed under quarantine for cattle scabies by the Federal government this week.

Included in the quarantine are Castro, Lamb, Hale, Floyd and Swisher counties.

Before any cattle can be offered for sale in the affected areas, they must be inspected and approved for sale by a Federal inspector, according to Mrs. Raymond Hance, secretary in the county agent's office in Dimmitt.

Mrs. Hance said one inspector, Duke Holland, would be staying at the Congress Inn in Plainview, and the other, Dr. Tiner, would be in Dimmitt at the Colonial Inn.

Mrs. Hance said not all cattle inspected would have to be dipped, just ones infected with the contagious disease.

Only part of Castro county is affected by the quarantine. The area between Dimmitt and Edmunson, south to Springlake

and Olton is the area designated by the quarantine.

Officials estimate less than one per cent of the cattle in the area are affected by the disease, but all cattle must be inspected before being offered for sale.

Wool Growers Should File For Payment

Jim Elder, chairman of the A SCS county committee, said this week that wool growers should file for 1965 marketing year payments by the end of January.

Elder said the payments would also be on mohair sold under the National Wool Act during 1965.

He said incentive levels for shorn wool for 1965 are 65 cents a pound and 72 cents for mohair, with pulled wool comparable to that of shorn wool.

Payments for the 1965 marketing year are scheduled to begin in April. Elder said marketings completed after Dec. 31, 1965 are considered as 1966 marketings and will not be eligible for payments until 1967.

The chairman also reminded farmers that the sign-up period for the 1966 Cropland Adjustment Programs began Monday and will close on April 1.

Elder said feed grain and wheat notices were mailed to all known operators on Jan. 14, and producers who wish to appeal their yields or bases must do so within 15 days of the date of their notices.

Elder said the base years to be used in computing appeals are 1962, 1963 and 1964 for grain, wheat and cotton.

Hart Youths Win Honors In Hereford Stock Show

Cold weather may have stopped some activity in Hart for a few days, but it didn't slow down Hart's 4-H and FFA entries in the Hereford Livestock Show.

Hart competitors brought back four championship ribbons and two showmanship awards in the four-county show.

In addition, they picked up 34 other places in the show.

Verletta Crick, showing for the Nazareth 4-H Club picked up a championship in the barrow division with the top chester white.

David Harris was another top entry in the barrow show, exhibiting the champion hampshire.

The other top entries were in the lamb division.

W. A. Hawkins III showed the champion southdown lamb, while Jerry Smith had the champion crossbreed.

And in the showmanship category, Bob Crick took top honors in the barrow division for showing Verletta's chester white, while Hawkins did the same in lamb division.

Miss Crick's winning barrow, which weighed in at 220 pounds, was bought by the Clovis Cattle Commission for 55 cents a pound, a total of \$121.

Harris' hampshire was bought by Hi Point Grain and Fertilizer for the same price per pound. The 186 pound animal brought \$102.30.

In the lamb sale, Smith's crossbreed brought \$1 a pound. Hart Grain Co. paid \$88 for the lamb.

Hawkins' champion south-

down took top money from Farmer's State Bank.

Hawkins received \$1.20 for the 79 pound lamb, a total of \$94.80.

In the barrow show, David Smith had the second place heavyweight berkshire. In the chester white division, in addition to Miss Crick's champion, she had the first place heavyweight, while David Brooks had the sixth place heavyweight and the third place lightweight.

In the Duroc heavyweight class, Jim Tucker took third place, while Retta Henderson was seventh, Larry Henderson was eighth and Jerry Swindle had the tenth place animal.

In the lightweightdurocs, Bob Crick had a sixth place animal,

while Gary Heller had an eighth place and Jerry Parker a tenth.

In the heavyweight hampshire class, Harris had the champion, Bob Crick had the second place barrow and David Harris had the sixth place entry.

In the lightweight part of the same class, Harris had the first place animal, Verletta Crick the fourth place and David Smith the sixth place.

Poland-china was a little less rewarding for the Hart entries, with David Cole picking up a seventh place.

Only two entries place in the calve division. Harold Bennett had the seventh place lightweight and George Bennett had the 17th place middleweight.

Other lamb winners included a third place by Gary Hart and a 10th place by David McKay in the fine wool class.

In the crossbreed lamb section, in addition to Smith's champion, Randy Alford had both second and third place lambs, while Hawkins had the 10th place.

There were four places in the medium wool class, with Marlon Hart second, Quincy Hawkins, third, Richard Murry fourth and Larry McKay eighth.

In the southdown competition, Hawkins had the champion, Jerry Swindle had the third, Margaret Swindle the fourth, Gary Rambo the eighth and Bob Crick the 10th.

In other breeds and crosses, Bob Crick was fifth, Ricky Bennett was sixth, Dirk Rambo was seventh, Benny McKay eighth and Jim Swindle ninth.

BAPTISTS SET OPEN HOUSE

Open house at the new parsonage of the Hart Baptist Church has been scheduled for Sunday from 1-5 p.m., the church announced this week.

The public is invited to see the new home, which was constructed by Ed Harris Lumber Co. at a cost of approximately \$25,000.

The Rev. Denzil Leonard pastor, and his family will move into the structure following the open house.

Members of the building committee for the new parsonage were Charles Martin, Joe Newman, Otto Dinwiddie and R. J. Murray.

Hart Six Weeks And Semester Honor Students Are Announced

The third six weeks and fall semester honor rolls for Hart Junior and Senior High School were announced this week.

For the third six weeks, the honor roll listed:

ALL A's
Seniors--none
Juniors -- Rosemary Lee and Sherilyn Morrison.
Sophomores -- David A. Harris.
Freshmen -- none.
Eighth -- Mike Armstrong, Harold Bennett, Sheila Gardenhire, Barbara Hansen and Ruth Harris.
Seventh -- Joan Dudley, Denise Lowery and Carol Miller.

ONE B
Seniors -- Doug Martin, Rene Brooks, Judy Graves, Retta Henderson and Charlene Moses.
Juniors -- Rosemary Carter.
Sophomores -- None.

Freshmen -- Iona Clevenger.
Eighth -- Jerry Heller, Terry Newman, Danny Smith and Susan Carter.

For the semester, the honor roll included:

ALL A's
Seniors -- Rene Brooks, Retta Henderson and Anita Rubalcaba.
Juniors--Rosemary Carter and Sherilyn Morrison.
Sophomores -- David A. Harris and David D. Harris.
Freshmen -- Iona Clevenger.
Eighth -- Mike Armstrong, Harold Bennett, Andy Rogers, Sheila Gardenhire, Barbara Hansen and Ruth Harris.
Seventh -- Joan Dudley and Denise Lowery.

ONE B
Seniors -- Doug Martin
Juniors -- Rosemary Lee.
Sophomores -- Lynda Shives

Freshmen -- Cathy Sharp
Eighth -- Danny Smith.
Seventh -- Sharon Brooks, Veronica Cox and Rebecca King.

Harlem Stars Will Appear Monday Night

The Harlem Stars comedy basketball team appear in Hart Monday at the Hart High School gym.

Sponsored by the Hart Athletic Department, the team will play a group of local players, starting at 8 p.m.

Admission to the game is \$1.50 for adults, \$1 for students, and 50 cents for children.

Tickets are on sale at the high school.

CUB SCOUTS READY PLANS FOR PROJECT

"A Flare With Every Spare" is the slogan adopted by Hart's Cub Scouts for their fund-raising project set to start Feb. 1.

As part of their safety campaign, the scouts will call on car owners in the Hart area, offering car owners auto safety flares to carry in their car trunks with their spare tires.

In addition, the boys will give everyone they contact a folder of tips on nighttime driving.

Adult leaders James Kennedy and Charles Clark said all boys authorized to work on the project will carry official identification cards.

THE HART BEAT

Published each Thursday at Hart, Texas, 79043, c/o P.O. Box 311, with offices in Hart, Phone 938-2247.

Entered as second-class matter at the Post Office in Hart, Texas.

Any erroneous reflection upon the character, firm or corporation which may appear in the columns of The Hart Beat will be gladly corrected upon being brought to the attention of the publisher.

Subscription rates: \$2.50 in Castro and neighboring counties; \$4.00 per year elsewhere.



Bill Turner...Editor-Publisher
Lela Gallion.....News Editor
Mike Wall.....Reporter

Political Announcements

Subject to Action of Democratic Primary.

State Senator

30th Senatorial District
Jack Hightower

CITY COUNCIL MEETS

Hart's city council met Monday night, but no motions were brought up. Those present were John Holloway, Buster Aven, E. E. Foster and Virginia Reed.

NEW MEXICO VISITOR

Mrs. John Hamlin of Eunice, N.M. has been visiting in the homes of Mr. and Mrs. Buster Aven and Mrs. A. L. Aven this past week.

VISIT SON

Mr. and Mrs. Bernard Brown of Salida, Colo., who were here to attend the funeral of her brother, Leroy Aven, spent a few days in the home of their son and family, Mr. and Mrs. DeWayne Brown.

SEE GRANDMOTHER

Mr. and Mrs. M. L. Harlin and family were in Levelland on Sunday to see Mrs. Harlin's grandmother, Mrs. J. A. Gary, who is very ill. Mrs. Rice went to Levelland on Friday to be with her mother.

TO SWEETWATER

Mr. and Mrs. Lester Richburg and Patricia went to Sweetwater on business Sunday. They came back through Lubbock and visited with their son and family, Mr. and Mrs. Gene Richburg.

WEEKEND VISIT

Mr. and Mrs. Arno Cox of Hobbs, N.M. were here over the weekend to visit their daughter and family, Mr. and Mrs. Bob Bowden, and Mrs. Cox's parents, Mr. and Mrs. Oliver Jackson.

Smith Has Champion Lamb In Amarillo Stock Show

After picking up impressive places in the Hereford Stock Show, Hart's FFA and 4-H showmen found the going a little rougher in the Amarillo Fat Stock Show.

Jerry Smith picked up first place and the champion crown in the southdown lamb class for the lone first and championship ribbons for Hart.

In the same classification, Bob Crick placed a 10th place

lamb, and Smith had the 15th place animal.

In the crossbred class of lambs, Bob Wade picked up a second place, Smith was third W. A. Hawkins was fifth and Oscar Morales was eighth.

The other breeds classification brought a second place award for Bob Crick. Larry McKay was fifth and Jim Swindle sixth in the same class.

In 4-H, Gary and Marlon Hart exhibited the second and third place southdown lambs, and the fourth place fine wool lamb.

In the barrow division of the show, Jim Tucker picked up a second and fourth place for his duroc, while Bob Crick was fifth and Rex Henderson was sixth.

Larry Henderson was ninth and Jim Swindle 10th in the duroc competition.

Chester class brought a third place for Crick and a fifth for David Brooks.

Jim Kendrick took a fourth place ribbon in the Hampshire class, with David Harris picking up fifth and ninth.

In the Poland category, Brooks was fifth and Smith was 11th, while Bob Carter took ninth spot in the crossbred class.

TO OKLAHOMA

Mr. and Mrs. Bill Irwin of Levelland and Mrs. Ruby Bennight went to Leonard, Tex., to visit Mr. and Mrs. Royce Davis and family, then on to Oklahoma City, Okla. to visit Mrs. Bennight's father.

FROM BORGER

Mr. and Mrs. Charlie Irwin of Borger have moved on the farm of Mr. and Mrs. L. W. Bennight near Dimmitt. Mr. Irwin will work for Mr. Bennight.

IT HAPPENED IN HART.....

ONE YEAR AGO

Hart school trustees unanimously approved school policy on desegregation Monday night, voting full compliance with the non-discrimination section of the Civil Rights Act of 1964. The action opened the doors for integration here next fall, but it does not make it mandatory.

Roger Clevenger, exhibiting the grand champion barrow, Danny Smith, exhibiting the champion Berkshire and the reserve champion Poland China and Jim Swindle, exhibiting the first place heavyweight Poland, all of the Hart FFA, took the top honors at the Amarillo Stock Show last weekend. Gary Heller also exhibited the reserve champion Duroc.

Class favorites at Hart High School are Harvey Sullivan and Connie Bailey, seniors; Doug Martin and Charlene Moses, Juniors; Jerry Smith and Sherilyn Morrison, sophomores; and W. A. Hawkins and Mandy Rogers, freshman.

THREE YEARS AGO

Wade Mills, a 47-year-old Castro County farmer who "never lost sight of the fact that the soil upon which we live is our most valuable resource," has been named one of the five most outstanding soil conservation district supervisors in Texas. Mills, who farms five miles north of Hart, was given a large silver tray in recognition of his conservation work last Friday in Lubbock at the annual meeting of the Association of SCD's in Texas.

The City of Hart's plans to install a sanitary sewer system on Running Water Draw -- already approved by state authorities over a round of protests -- drew still more fire last week. Latest shot triggered in the controversial project is a suit filed in 98th District Court of Travis County by Clements Corp. and others.

Local voters have only seven more days to get their poll tax money in.



WE PUT THE SURE IN INSURANCE

CLEVENGER

Insurance Agency

Fire-Casualty

Hail-Insurance

For All Your Needs

Wister Clevenger

PHONE 938-2131 OFFICE

OR 938-2289, HOME

NOTICE

CITY TAX PAYERS

Avoid Paying
8% Penalty

On 1965 City Taxes

By Paying Before The

January 31 Deadline

CITY OF HART

Pay At City Office

NOTICE

NOTICE--Let TIDE list and apply ammonia in one operation. Reasonable prices. Call TIDE PRODUCTS, INC. 938-2191. Hart, Texas. 50-3tc

FOR RENT--3-room house with bath and utility room. Call 938-2309. W. R. Reed. 28-ltc

WANTED

WANTED--To trade new and used machinery for livestock. Jones Seed and Farm Supply. 28-3tc

WANTED -- Custom farm work breaking, listing, fertilizing, etc. Contact Darrell Lacy, Hart 27-3tc

WANTED-- Your insurance business. All lines. Insurance at cost. Castro County Farm Bureau branch office, Hart, Texas. E. L. "Sonny" Hochstein, agent. Office hours, Monday through Friday, 9-12. Located at the Sun View Fertilizer office, phone 938-2307. 27-tfc

ATTEND STOCK SHOW

Mr. and Mrs. Elmer McKay and family were in Amarillo Sunday to attend the stock show. They also visited with Mr. and Mrs. A. J. Phillips and daughter while there.

FOR SALE

FOR SALE -- Quality Fertilizer and agricultural chemicals. Equipment available (free) to apply your Anhydrous Ammonia while you list. TIDE PRODUCTS INC. 938-2191. 27-3tc

FOR SALE--New, ready-built house, set on your lot complete. Priced right. Dennis Builders Supply. 285-2144. Olton. 26-4tc

FOR SALE--400 bales cane and grass hay at \$22 a ton. Contact Claude Ray. 938-2352. 27-ltc

CLUB MEETS

The Good Neighbors Club will meet in the home of Mrs. Paul Brooks on Tuesday February 1. All members are urged to attend as this will be an important meeting and officers will be elected for the coming year.



BAPTIST PARSONAGE--This is a front view of the new Baptist parsonage in Hart. Open house on the new structure is Sunday from 1-5 p.m., weather permitting. The house was built at a cost of \$24,944 including carpeting and drapes. Rev. Denzil Leonard and his family will move into the structure following the open house.

SWAYZE Bros.
Wholesale LUMBER CO.
WHY PAY MORE?

LUMBER- DIRECT MILL SHIPMENTS-

2x4 & 2x6 Std. & Btr. dF. -----\$10.95

2x6 Economy Lumber 51/2¢

1x12 Economy Decking -----41/2¢

ROOFING- Grade A Per Sq.

235# 3 TAB-----\$6.35

250# T LOK-----\$7.00

90# Roll Roofing---\$2.75

15 & 30 Lb. Felt Roll -----\$1.95

SPECIALS

*ASBESTOS SIDING Close Out Sale-\$13.95 Sq.

*6' Cedar Stockade Fence Material Only \$1.28 lin. ft.

*Alum. Storm Doors \$26.95

*Alum. Storm Wind. \$11.95

PAINT-

PRO-MAT, the "Cadillac of Paints"

Decorater Latex \$3.88 Gal. 13 colors to choose from

555 Pro-Crete---\$5.58 Gal. fine quality exterior latex paint.

LET US FIGURE WITH YOU ON ALL OF YOUR BUILDING AND REMODLING NEEDS-

"We Are Here To Serve You"
3009 W. 7th. CA. 4-5553
Plainview, Texas

WATCH

For **TREMENDOUS SPECIALS**

| | |
|---|---|
| FRUIT COCKTAIL HUNTS 4 FOR 98¢ 300 CAN | EGGS DOZ. UNGRADED 3 FOR \$1 |
| CATSUP DEL MONTE 4 FOR \$1 20 OZ. | TOMATO JUICE HUNTS 2 FOR 25¢ 300 CAN |
| NORTHERN TOILET TISSUE SINGLE ROLL 10¢ 3 FOR 25¢ | BISCUITS 3 FOR 25¢ |
| PEANUT BUTTER 1 LB. SKYWAY 39¢ | REYNOLDS FOIL 18 INCH HEAVY DUTY 59¢ |
| DEL MONTE 303 CAN ENGLISH PEAS 2 FOR 49¢ | COMET 2 FOR 33¢ |
| IMPERIAL OR HOLLY 5 LB. BAG SUGAR 49¢ | SHURFINE 1 LB. CAN COFFEE 69¢ |
| 3 LB. CAN CRISCO 79¢ | FOOD KING 10 LB. BAG FLOUR 69¢ |
| BANANAS LB. 12 1/2¢ | STEAK LB. 89¢ |
| CALIF. EMPERORS GRAPES LB. 12 1/2¢ | SIRLOIN & T-BONE LB. 89¢ |
| RADISHES CELLO PKG. BUNCH 10¢ | BOLOGNA FRONTIER 3 LBS FOR \$1 |
| ICE CREAM CLOVERLAKE 1/2 GAL. 59¢ | HARLIN FOOD HART, TEXAS We Give S&H Green Stamps, Double On Wednesdays With Purchase Of \$2.50 Or More PHONE 938-2312 PAY CASH AND SAVE |



ZEALOT CLUB OFFICERS—New officers of the Zealot Club installed Tuesday are, front, Wilma Lemons, president; Louise Jones, vice president, and Joby Sanders, installing officer. In the back row are Jo Ann Cleveger, treasurer; Jimmie Benton, parliamentarian, and Glenna Newman, hostess

Youth Center Sorority Names Sweetheart Slates Dance During Thursday Meeting

A high school dance will be held Jan. 28 from 8 to 12 p.m. at the Merry-Go-Round. Sponsor of the dance is the Olton Youth Center.

Music will be by the Sandpipers, and the cost of admission is \$1.25 per person.

SON VISITS HERE

Dudley Aven of Burlington, Colo. spent two days in the home of his parents, Mr. and Mrs. Buster Aven, last week.

Phi Psi chapter of Beta Sigma Phi met Jan. 20 at 7:30 p.m. in the home of Mrs. Theron Morrison. Mrs. Glyn Reed was co-hostess.

Mrs. Reed presided at the business meeting. A valentine sweetheart was chosen by secret ballot, and the name will

remain a secret until the valentine party in February. Her name will then be revealed and she will be crowned. Last year's sweetheart was Mrs. David Willis.

The subject of the program was "Let's Talk on the Radio", which was presented by Mmes. W. T. Sanders and Wister Cleveger. Each member present had her voice recorded on a tape recorder. The tape was later played back for everyone to hear their voices.

Members present were Mmes. Doug Higgins, new member and Wister Cleveger, W. T. Sanders, Walt Hansen, DeWayne Brown, Bob Reed, Joe Percy Hart, Melvin Aven, Newlon Roland, Bill Rich, Theron Morrison, Glyn Reed and a guest, Donna Hart.

Hart WSCS Meets In Gossett Home

W.S.C.S. of the Hart Methodist Church met Jan. 20 in the home of Mrs. Douglas Gossett.

The study of the book "Struggle of Decency" by Robert Root was begun by Mrs. Ed Bennett. Mrs. W. A. Hawkins Sr. gave the prayer. Refreshments were served by Mrs. Gossett following the adjournment of the meeting.

Members present were Mmes. Ed Bennett, Howie Parker, W. A. Hawkins Sr., Hubert Maples and Gossett.

Hart Zealot Club Installs Leaders At Tuesday Meet

Mrs. W. T. Sanders installed new officers of the Hart Zealot Club during a tea at the Joe Newman home Tuesday.

New officers are Wilma Lemons, president; Louise Jones, vice-president; Jerry Bailey, secretary; Joann Cleveger, treasurer; Laverne Upshaw, historian; Jimmie Benton, parliamentarian and Glenna Newman, hostess.

The subject of the program presented was, "Rededication of a Cause."

SCHOOL MENU

JAN. 31 - Feb. 4, 1966

MONDAY -- Ham and white beans, turnips and greens, candied sweet potatoes, pickle slice, cornbread, peanut butter cookies, milk and butter.

TUESDAY -- Hamburgers, mustard onion pickle relish, french fried potatoes, tomato slice, lettuce wedge, cinnamon crispies, milk and butter.

WEDNESDAY -- Meat loaf, parley potatoes, green beans, cole slaw, yeast biscuits, red velvet cake, milk and butter.

THURSDAY -- Chuck wagon beans, sauer kraut, whole kernel corn, onion slice, cornbread, banana pudding, milk and butter.

FRIDAY -- Tuna fish on lettuce leaf, spaghetti and tomatoes, whipped potatoes, celery stick, carrot stick, peach cobbler, milk, hot rolls and butter.

SCOUT NEWS



Junior Girl Scout troop 333 met Jan. 18 at 4:30 p.m. at the Scout house.

The flag ceremony was held, followed by several songs. The girls also started sewing on individual bags to carry the Scout book, patrol book, pencils and other miscellaneous items. This will help them earn their sewing badge.

Kathy Cheves served refreshments to Betty Follis, Cheryl Friday, Kathy Cheves, Mary Sanchez, Donna Welty, Jackie Seago, Jennifer Smart, Cathy Nelson, Roxana Irons, Rita Heck and leaders Mrs. Arthur Cheves and Mrs. Orvil Friday.

The troop will meet again Jan. 25 at 4:30 p.m. at the Scout house.

KITCHEN KORNER

We finally got our winter weather and while it caused some discomfort, haven't the trees and shrubery been beautiful? It reminds you of a fairy land. This kind of weather we enjoy having the oven going with a casserole or cobbler sending out a very appetizing aroma.

STUFFED ROUND STEAK

4 slices fried bacon, crumbled
1 onion chopped
1 1/2 c. breadcrumbs
1/2 tsp. celery seed
1/4 tsp. sage
1/2 tsp. salt
Dash pepper
5 -- 2x2 1/2 in. pieces thin round steak
1 small can tomato juice
1 small can tomato sauce
Combine all ingredients (except the tomato sauce, juice and steak) to make the dressing. Season the steak spread with the dressing, roll up and fasten with a toothpick. Place in baking dish, pour the tomato juice and sauce over and bake at 350 degrees for one hour covered then uncover and cook for an additional 30 minutes.

LEMON CHESS PIE

2 c. sugar
1 T. flour
1 T. Cornmeal
4 eggs
1/4 c. melted butter
1/4 c. milk
2 to 4 T. grated lemon rind
1/4 c. lemon juice

Combine sugar, flour and meal in a large bowl. Toss lightly with fork. Add remaining ingredients. Beat with electric mixer until smooth and thoroughly blended. Pour into unbaked pie shell and bake 30 to 40 minutes at 350 degrees or until top is golden brown.

The poorest man is one whose only wealth is his money.

SUNDAY VISITORS

Mr. and Mrs. Harry Kleman and Mr. and Mrs. Tom Annen of Nazareth spent Sunday visiting in the home of Mr. and Mrs. Frank Bauman.

SHORT ON WATER?

LET US DEEPEN YOUR EXISTING WELL

BLEEKER & SON DRILLING CO.

PHONE 285-2672

P. O. BOX 134

OLTON

POLL TAXES and State and County Ad Valorem Taxes are due on January 31, 1966.

If 1965 taxes are not paid by Jan. 31st, 1966, then the following schedule of penalty and interest will apply.

| | Penalty | Interest | Total |
|--------------------------|---------|----------|--------|
| If paid in February 1966 | 1% | 1/2% | 1 1/2% |
| If paid in March 1966 | 2% | 1% | 3% |
| If paid in April 1966 | 3% | 1 1/2% | 4 1/2% |
| If paid in May 1966 | 4% | 2% | 6% |
| If paid in June 1966 | 5% | 2 1/2% | 7 1/2% |

All payments after June 30th, 1966, will bear 8% penalty and interest at the rate of 6% per annum from Feb. 1st, 1966.

Time for assessing property is January 1st, 1966 to April 30th, 1966. Property must be assessed and homestead exemption claimed before it may be allowed. BE SURE TO ASSESS YOUR PROPERTY AND CLAIM YOUR HOMESTEAD EXEMPTION. The law makes this provision mandatory.

POLL TAXES MUST BE PAID BY JANUARY 31, 1966.
Poll taxes must be paid by the taxpayer in person or by a remittance of the amount of the tax through the United States Mail to the county tax collector. Accompanying the remittance is a statement in writing signed by the taxpayer showing all the information necessary to enable the tax collector to fill out the blank form of the tax receipt. The husband, wife, mother, father, son or daughter of the taxpayer may pay the tax for the taxpayer in either of the modes authorized and may sign for the taxpayer when payment is by mail, and may receive the poll tax receipt issued to the taxpayer.

All of the above methods of payment of Poll Taxes shall apply to the issuance of Exemption Certificates.

All persons 60 years of age before Jan. 1, 1965, are exempt from payment of Poll Tax and do not have to secure an Exemption Certificate, but may vote without one.

All persons becoming 21 years of age after Jan. 1, 1965, and before the dates elections are held during the year 1966 must secure an Exemption Certificate not later than 30 days prior to the date such is held.

APPLICATION FOR PAYMENT OF POLL TAX BY MAIL

I hereby apply for Poll Tax and by this instrument furnish you the information necessary to enable you to prepare my Poll Tax receipt.

Age _____, Race _____, Sex _____

Years in State _____, County _____, City _____

Home Address in }
Castro County }

Occupation _____

Birth Place _____
If native-born name of state; if foreign-born name of country

Native-born or } Citizen of the United States
Naturalized }

Name of Voting Box _____

Applicant's Signature _____

By _____

I hereby certify that I am the husband-wife-mother-father-son-daughter of the above named taxpayer. (Strike the relationships not applicable.)

KENT BIRDWELL

TAX ASSESSOR COLLECTOR
CASTRO COUNTY
DIMMITT, TEXAS

Monuments

Winnsboro Blue Granite
White Georgia Marble
and others
See Percy Parsons
Call Collect Olton-285-2621

Now Open In New Location

Cole Well Service

HIWAY 70

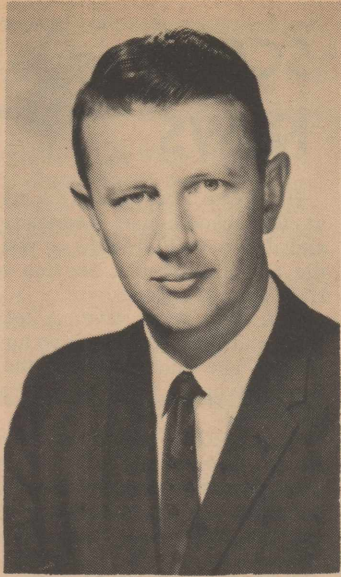
(In Former Olton Co-op Producers Building)

WE SERVICE ALL MODELS OF DOMESTIC WELLS AND SUBMERSIBLE PUMPS

Days Phone 285-2171

Nights Phone 285-2876

TURNKEY SERVICE ON NEW WELLS OR DEEPENING YOUR PRESENT WELLS



JACK HIGHTOWER

Hightower Visits Hart

Senator Jack Hightower of Vernon was in Hart Wednesday in connection with his candidacy for re-election to the Texas Senate from the new 30th Senatorial District.

The new senatorial district which includes Castro County is now composed of 21 counties, stretching from Wichita and Archer Counties on the east, to the New Mexico line on the West. The redistricting was done by the last session of the Legislature under orders of the federal courts to comply with the new "one man -- one vote" decision of the Supreme Court.

Senator Hightower filed his application to be placed on the official ballot in the Democratic primary with Ray Bearden of Dimmitt, Democratic chairman for Castro County.

While in Hart Senator Hightower visited briefly with campaign supporters and advised that he will publish his formal announcement in the near future.

Mitchell Heads Parade Plans

James Mitchell of Hart has been named as parade chairman for Homecoming activities scheduled Feb. 11-12 at Wayland Baptist College in Plainview.

"Sound of Music" is the theme for the annual event. Activities start Friday night with the coronation of the 1966 Homecoming queen and a banquet.

The parade starts Saturday morning with a parade of floats queen nominees and area bands and marching groups.

Activities will be concluded Saturday night with basketball games between the Wayland Flying Queens and the Kansas City Pipers, and between the Wayland Pioneers and Midwestern University.

COMING EVENTS

FEB. 3
W.S.C.S.

"DICKEY'S DOZER SERVICE"
Dirt Work-All Kinds
Bulldozers-Scrapers
Motorgrader
Crane-Dragline-Clamshell
And Backhoe
SEE OR CALL
FLOYD DICKEY
S.E. 4th & Belsher
DIMMITT, TEXAS
Bus. Ph. 647-4553 Res. Ph. 647-4565

American Heritage Program Speaker Is Dr. J. L. Eighmy

PLAINVIEW (Special) -- Speaker for the February dinner meeting for the Plains American Heritage Program is Dr. John Lee Eighmy of Oklahoma Baptist University.

He will be speaking on political theories of Benjamin Franklin when the meeting gets underway at 7:30 p.m., Feb. 14 in Slaughter Memorial Center on the campus of Wayland Baptist College, which sponsors the Heritage program. Charles F. Ogilvie of the faculty is director

Steering committee members for this year's program are from Plainview, Cotton Center, Dimmitt, Hart, Hale Center, Kress, Lockney, Olton, Petersburg, Silverton and Tulia.

Dr. Eighmy received the B.A. from OBU, the BD from Central

Baptist Theological Seminary, and the MA from University of Missouri.

Title of his Ph. D. dissertation was "The Social Conscience of Southern Baptists, 1900 to Present."

During Dr. Eighmy's post-doctoral study he was awarded a Fulbright award to attend the institute in Chinese Civilization in Taiwan.

VISIT IN SPRINGLAKE

Mr. and Mrs. W. A. Hawkins Sr. were in Springlake Sunday where they enjoyed dinner in the home of Mr. and Mrs. J. L. Hinson.

VISIT PARENTS

Mr. and Mrs. Paul Landers and family of Earth visited his parents, Mr. and Mrs. C. B. Landers, over the weekend.

"FARM FUN" by T. SANDERS



LPG-Butane-Propane

HI-POINT

Phone 938-2195
HIWAY 194 West HART, TEX.



Grain & Fertilizer, Inc.

GRAIN BUYERS - GRAIN STORAGE
SHAMROCK NITROMITE FERTILIZERS



COFFEE MAXWELL HOUSE LB. **79¢**

DOG FOOD ROXEY 4 FOR **39¢**

BLACKEYED PEAS SHURFINE 300 CAN **12¢**

CHILI ELLIS 1 1/2 LB. CAN **49¢**

TAMALES ELLIS NO. 2 1/2 CAN **29¢**

CRACKERS PREMIUM 1 LB. **29¢**

PINTO BEANS 4 LB. BAG **59¢**

TOMATO JUICE SHURFINE 46 OZ. CAN **29¢**

SHURFRESH MILK FOR GOODNESS SAKE



ICE CREAM CLOVERLAKE 1/2 GAL. **69¢**

AVOCADOS EACH **10¢**

GRAPEFRUIT RED LB. **15¢**

HAM CENTER SLICES LB. **99¢** | END CUTS LB. **69¢**

BACON WRIGHTS 2 LB. PKG. **\$1.69**

STEAK SIRLOIN ROUND T-BONE LB. **89¢**

CLOTHES BASKETS **99¢**



B & K GRO & MKT.

Trade At B&K Where You Get Bargains Every Day

Double Gunn Bros. Stamps On Tuesdays
With Purchase of 2.50 of More

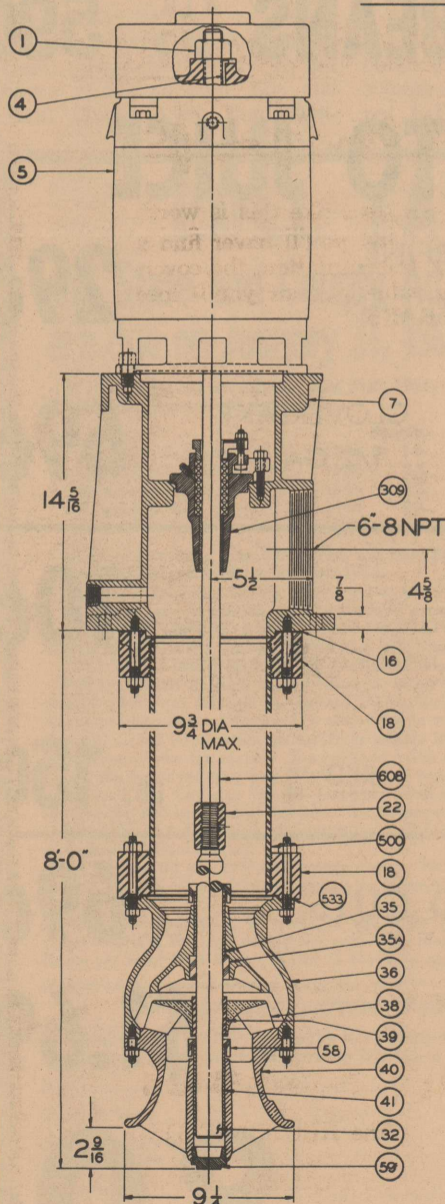
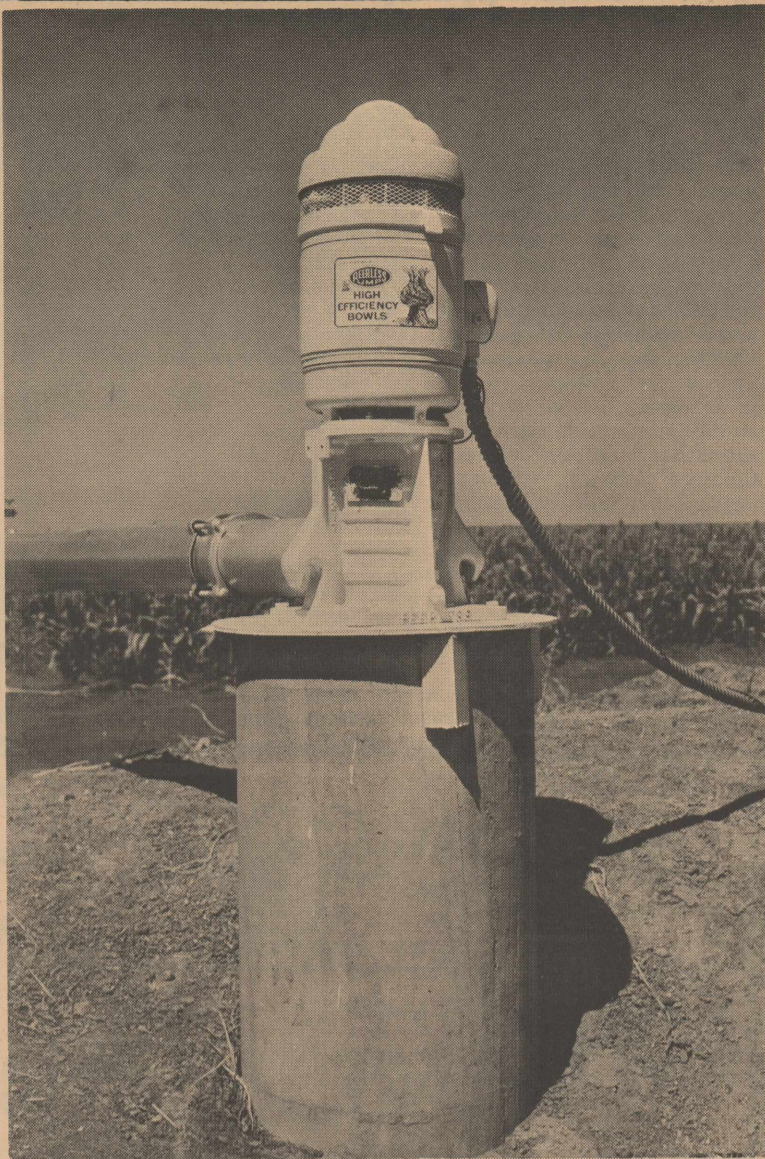
HIGH PLAINS TAILWATER PUMP



**Salvage Your
Waste Water!**

Save Your Money!

The Peerless Tailwater Pump is especially designed to economically reclaim water now going to waste on your irrigation land.



| ITEM NO. | DESCRIPTION |
|----------|--------------------------------|
| 1 | Nut: Top Shaft |
| 4 | Key: GIB |
| 5 | Motor: Driver |
| 7 | Head: Discharge |
| 16 | Gasket: Head |
| 18 | Flange: Top Column |
| 22 | Coupling: Shaft |
| 32 | Shaft: Impeller |
| 35 | Bearing: Std. Bowl, Bronze |
| 35A | Bearing: Std. Bowl, Neoprene |
| 36 | Bowl: Standard |
| 38 | Impeller: Semi-open |
| 39 | Bushing: Impeller Taper Lock |
| 40 | Manifold: Bell Type Suction |
| 41 | Bearing: Suction Manifold |
| 58 | Collar: Sand |
| 59 | Plug: Suction Manifold |
| 309 | Container: Packing Assembly |
| 500 | Column: Flanged Bottom and Top |
| 533 | Gasket: Bowl |
| 608 | Shaft: O.L.S. Top |

LOOK AT THESE FEATURES:

Heavy Duty Cast Iron Discharge Head

High Strength Stainless Steel Shaft

Dual Bronze and Neoprene Bearings

Open Type Impeller

Easy, Quick Adjustment

GIVING YOU THESE BENEFITS:

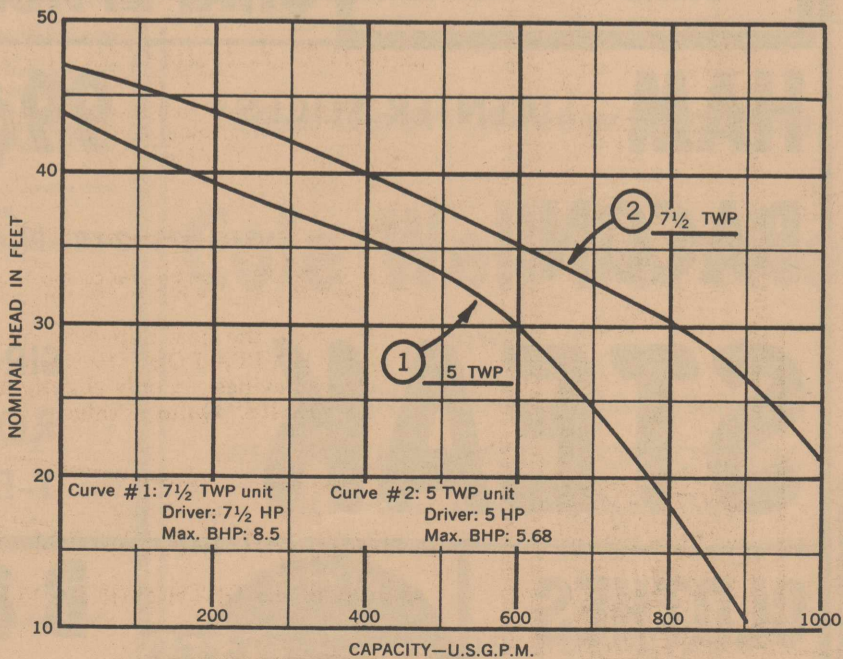
Rigid Frame—Longer Bearing Life

Longer Life—No Rusting Out

Resists Wear and Abrasion

Handles Grit and Abrasives

Assures Highest Performance



ALSO AVAILABLE
Larger models - 10 HP and 15 HP - for combination lake or tailwater service.



PEERLESS PUMPS

AMARILLO HWY. -PLAINVIEW

SCOUT NEWS



Hart Cub Scout Den One met at the schoolhouse Wednesday and drove to Plainview to visit the Hutcherson Air Service at Hale County airport.

The boys were given a lecture and demonstration on how flights are planned, and they were given a tour of several airplanes.

Cub scouts attending were David Armstrong, Neil Burress, Duane Clevenger, Theron Hawkins, Gerald Jackson, Brent Lemons, Den Chief Mike Armstrong and Den Mothers Benowain Burress and Joan Clevenger.

Draft Quotas Down Slightly For February

State draft boards are scheduled to induct 1,372 single and married men without children during February.

The quota actually is less than January's 1,475 and December's 1,523 and represents Texas' share of a national call for 29,400 men. Inductees will be 19-25 years old.

Col. Morris S. Schwartz, State Selective Service Director, emphasized that no married men with children or expected children, will be selected to fill the February call. But he warns that information on unborn children certified to by a doctor should be promptly transmitted to draft boards.



Mr. Bill Turner
Hart Beat
Hart, Texas

Dear Mr. Turner:

The December issue of the "Texas Press Messenger" depicts the growth and strength of Texas' newspapers and is indicative of the pride and spirit that has made your industry one of which we are proud.

Congratulations to you, your newspaper and your industry for your many accomplishments. The contributions you make to the people of your community, state and nation are most significant and are particularly noted by those of us who have the privilege of serving this state as public officials.

As Lieutenant Governor of Texas, I have enjoyed and appreciated the opportunity and privilege of working with you and your association.

Sincerely,
Preston Smith
Lt. Governor of Texas

Broom Sale Set By Lions

Hart's Lions Club made plans to have its annual broom sale May 7.

The date was set at the regular meeting of the group Tuesday.

In other action at the same meeting, Feb. 28 was set as the night for the annual Ladies Night, and Mary Helen Willis was chosen to continue as sweetheart of the group for another year.



BOBBY ETHRIDGE

Recipe Of The Week

This week's recipe comes from Bobby Ethridge, 14, daughter of Mr. and Mrs. M. D. Ethridge.

Miss Ethridge is a freshman at Hart High School and plays basketball.

She has four sisters and one brother, and is a member of the Baptist Church.

GRAHAM CRACKER PUDDING

- 3 T. shortening
- 1/3 c. sugar
- 1 tsp. vanilla
- 1 well-beaten egg yolk
- 1/2 c. chopped dates, raisans or figs
- 1/4 c. chopped Calif. walnuts
- 2 c. fine graham cracker crumbs
- 1 tsp baking powder
- 1/4 tsp. salt
- 1/2 c. milk
- 1 stiffly-beaten egg white

Thoroughly cream shortening, sugar and vanilla; add egg yolk; beat thoroughly.

Stir in fruits and nuts. Mix cracker crumbs, baking powder

and salt; add to creamed mixture alternately with milk. Fold in egg white.

Fill six 6 3/4 ounce greased custard cups 2/3 full. Cover tightly with waxed paper. Steam 30 minutes. Or steam in greased 1 1/2 qt. mold 1 1/2 hours.

Individual cups may also be baked (uncovered) in moderate oven (350) for 30 minutes.

HART GUILD MEETS

The Wesleyan Guild of the First Methodist Church will meet on Wednesday night, Feb. 2 at 7:00 p.m. in Fellowship Hall of the Church. All ladies are invited to attend these meetings each first and third Wednesday nights of the month.

DOING WELL

Homer Hill, who is in the hospital in Lubbock, is reported to be doing fine.

HOPES TO RETURN

Mrs. Percy Hart, who has been in the hospital for observation the past week, hopes to return home this week.

RETURN TO COLORADO

Mr. and Mrs. Bill Crader and children have returned to Mancus, Colo. They have been helping with the gin through the ginning season. Mrs. Crader will teach there the rest of the school year. Mrs. Crader is the daughter of Mr. and Mrs. Roland Shepard.

"ZENITH COLOR"

T.V. SALES AND SERVICE
FINE LINE OF ZENITH T.V.'S, RADIOS AND STEREOS

GOOD RECONDITIONED USED T.V.'S

KITRELL ELECTRONICS

PHONE 938-2197

HART, TEXAS

It's like finding a \$20 bill!

in this... RESTONIC[®]
ANNIVERSARY SALE!

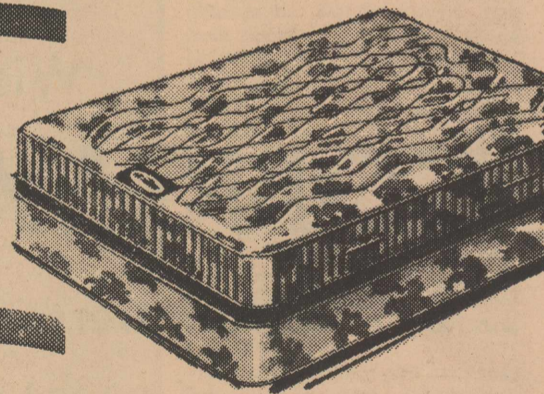


RESTONIC[®]
VITA-POSTURE[®]
MATTRESS or BOX SPRING
Only **\$39.95** each

*You'll Save More... You'll Sleep More
and You'll Get More out of Life*

Chances are, you'll find out that owning a mattress like this is worth far more than can be measured by money... but you'll never find a better time to buy! Compare the cushioning, the insulation, the coverings, and the comfort. Don't pass up this value... or you'll lose sleep over it. SET GUARANTEED 10 YEARS.

Another RESTONIC[®]
**ANNIVERSARY
SALE SAVINGS!**



RESTONIC[®] DeLuxe Vita-Posture Mattress & Box Spring
Super Length at No Extra Cost

Deeply-quilted rich gold damask coverings. Extra-deep comfort cushioning. Superbly tailored. SET GUARANTEED 13 YEARS.

\$59.95

20% more sleep space!

We have the new Standard Size in Bedding — the RESTONIC DE-LUXE VITA POSTURE Queen Size 60" x 80" — Super-Length — Super-Savings... only slightly higher in price. SET GUARANTEED 13 YEARS. Quite a value.

...and for The Finest Rest of All!

step up to the ORTHOTONIC, Full or Twin Size — only **\$79.50** ea.

Mattress or Box Spring.



ALLENS HOME FURNISHINGS

315 N. BROADWAY

PHONE 647-3331

DIMMITT, TEXAS

WHAT'S IN IT FOR ME?

**financial security,
in a Savings Account!**



**WE BANK
ON PEOPLE
AND THEIR
PROGRESS**

If you're as smart as you look, you'll be putting aside some part of your earnings and allowance in regular savings. Then when the going gets rough, you have a cushion! Be smart. Save!

FARMERS STATE BANK

HART, TEXAS

MEMBER F.D.I.C.

TO HOUSTON

Mrs. Roland Shepard, accompanied her parents Mr. and Mrs. Claude Johnson of Dimmitt to Houston where Johnson will undergo tests at the hospital there.

IN NEW MEXICO

Mr. and Mrs. Robert Brooks spent Sunday visiting in Clovis, N.M., with Mr. and Mrs. Edward Armstrong and family.

OLTON VISITORS

Mr. and Mrs. J. L. Snider and children of Olton spent Sunday visiting in the home of her sister and family, Mr. and Mrs. Billy Gallion.

VICKIE HAWKINS AT HOME

Vickie Hawkins is reported to be doing fine. She is at home and confined to bed and will be for sometime as she is in a cast. Her home address is Box 686, Friendswood, Tex.



BUILDING COMMITTEE--These men were named to the building committee to oversee the construction of the new Baptist parsonage which was recently completed. Left to right, are Charles Martin, Joe Newman, Otto Dinwiddie and R. J. Murray. A use for the old parsonage has not been decided, although it may be used for classrooms.

Bring your... **BUCCANEER Bonus COUPONS**

TO OUR STORE, & DURING THE NEXT 4 WEEKS, ACCUMULATE UP TO.....



5,000

FREE BONUS STAMPS

NEWSOM FOOD

FREE FREE FREE
INSTALLATION CHARGE ON
EXTENSION TELEPHONES

(Key Systems & PABX Excluded)

This Offer Good Only Thru Feb. 28

Contact telephone business office for details

WEST TEXAS TELEPHONE CO.

Phone 647-2161

Hart, Texas

Girls Trample Lazbuddie To Take Second Loop Win

Hart's girls basketball team could do no wrong against Lazbuddie Tuesday night, trouncing them 50-14.

Sherilyn Morrison tallied 26 points in three quarters of action to lead scoring for the night.

Linda Popejoy picked up 10 points for Hart, while Retta Henderson scored six, even though she played guard all but two minutes of the game.

For the boys, it was not quite

as good, with Lazbuddie picking up a 62-42 win.

Larry McKay was high point man for Hart with 17 points.

The win by the girls gives them a 2-1 district record, good enough for second place in the loop, while the boys are 0-3 for conference play.

The games with Nazareth cancelled Friday because of the weather will be made up Saturday in Nazareth. The girls' game begins at 6:30 p.m., to be followed by the boys' contest.

A girls B-team game will begin at 5:30 p.m.

The next regularly scheduled game for both varsity clubs will be against Bovina in Bovina next Tuesday night.

REBECCA MEETING

Mrs. Lowell Richburg and Mrs. Ernest Martin went to Hereford Tuesday night to attend the Rebecca Lodge meeting. Mrs. Richburg was elected captain for the Dimmitt Lodge No. 54, and she participated in a program for surrounding District Rebecca Lodges.

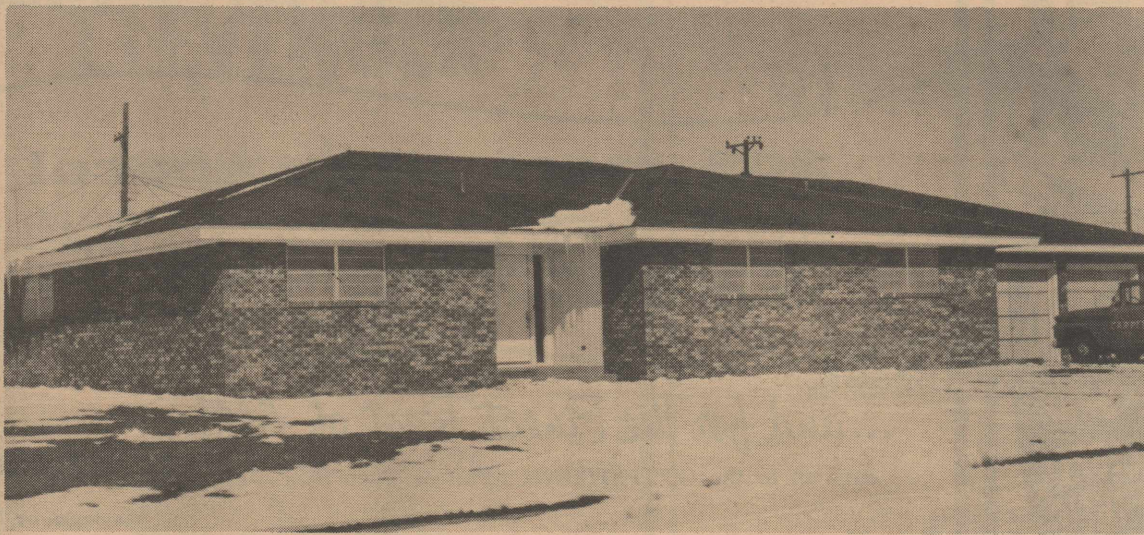
ED HARRIS LUMBER COMPANY

Wishes Sincere

CONGRATULATIONS

to members of Hart Baptist Church
on the opening of your

NEW PARSONAGE



We Invite You To Attend

OPEN HOUSE, SUNDAY, 1-5 P.M.

WE BUILD —
● New Homes
YOUR PLANS
OR OURS

● Remodeling
LARGE OR
SMALL JOBS

CALL US FOR
COMPETENT
BUILDERS



Mound City Paints

Ed Harris
LUMBER CO.

Hart, Texas