

# The Merkel Mail

Thursday, December 5, 1985...Merkel, Texas

Our 97th Year

## Santa Claus arrives here Saturday at 10 for parade, Christmas Fair

Christmas season officially begins here Saturday as the annual Christmas Parade will kick things off at 10 a.m. Saturday.

Also at 10, the Merkel Chamber of Commerce's Christmas Fair will open at Heritage Hall.

The parade will be held downtown and Santa will be on hand with treats for children. Santa will also be appearing at Heritage Hall following the parade and photos by Iris Amerine will be available.

Christmas Fair '85 is the first event in a few years designed to show local citizens what local merchants have available. The show will run from 10 a.m. until 6 p.m. Saturday and from 1 until 5 p.m. on Sunday.

Proceeds earned by effort will

be used to put a lighted cross on the water tower and for a string light Christmas tree in town.

The Chamber is raising money by selling booth spaces, photographs of Santa and children and proceeds from refreshments will also be donated.

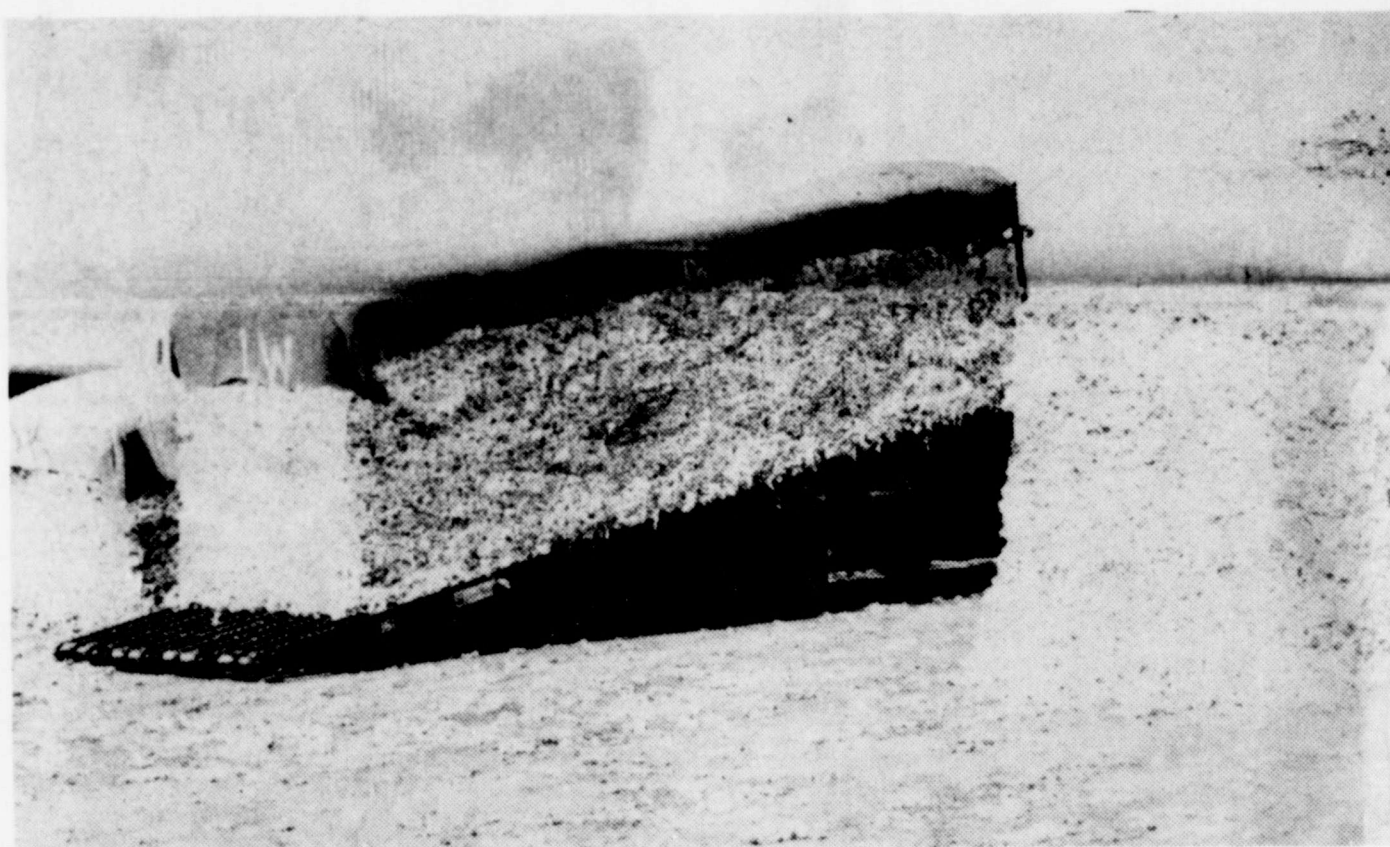
Merchants and individuals who have reserved booths include Faye Euckert and Mike Warren, Merkel Drug, Country, Etc., Lions Club, P & L Auto, Carson's Supermarket, Starbuck Furniture, Vickie Ramsey, Kivie Ramsey, American Buyers Club, Circle A Western Wear and Diena Pace.

Also, Wilson's Jewelry, Bragg's, Ann's Flowers, Martha Strauss, Xi

Nu Eta, Gene Amerine, Calico Corner, Mary Lou Rowland, TLC Doll Fashions and Repair, Don Mashburn, Humphrey's, Cathy Garrett, Glenda Stephenson, Betty Toombs, Linda Jones, Starr Nursing Home, Max Murrell Chevrolet, Palmer Pontiac, Preceptor

Preceptor Eta Omega will be in charge of concessions for the Merkel Chamber of Commerce.

Ann Payne is spear-heading the event for the Chamber and she said Tuesday "It is looking real good right now. We have a few people on the waiting list for booths and I think we will be able to raise enough money to pay for a lighted cross on the water tower"



§ A cotton module is being picked up to be ginned at Planter's Gin in Trent Tuesday afternoon. Monday's hard freeze killed any

remaining growth on local cotton plants and stripping activity local is in full steam. [Staff photo]

## Local gins over 4,300 bales

The Farmer's Cooperative Gin here started working around the clock Monday night as the local cotton harvest continues.

A hard freeze Monday morning killed plants and, as Trent Gin manager Red Shafer said Tuesday "Everyone who has a cotton stripper will be working by Friday."

At the Farmers Co-Op Gin here 1,900 bales have been ginned so far

and there were 15 modules and at least that many railers on the yard.

Bennett Massey, gin manager told The Mail "The cotton has been ginning real well."

Planter's Gin in Trent has ginned 2,400 bales and manager Red Shafer told The Mail "We won't be caught up again for a long time."

Shafer said he has had a few long time farmers tell him this

was the best cotton crop they had ever seen. Shafer said "The cotton was still opening right up until Monday's freeze."

Shafer said about half the cotton that has been ginned so far has gone into "The Loan", a federal program designed to guarantee payments for crops produced. He said the other half was sold on the open market.

Shafer said the gin in Trent would be starting an around the clock schedule in the near future.

## Parade-Fair set here Saturday, Incredible Ag's, all pass-all play

§ by Cloy A. Richards

Santa Claus is coming to town. That's right, the annual Christmas parade is Saturday at 10 a.m. downtown and the first Merkel Christmas Fair will be held, also starting Saturday right after the parade.

The Merkel Chamber of Commerce is sponsoring the event at Heritage Hall and it looked promising in the planning stage.

Local merchants and craft vendors will have booths at Heritage Hall with their wares for sale. It will give local Christmas shoppers an excellent opportunity to see what's available in Merkel for your holiday shopping.

The Chamber will also have an excellent Santa Claus available and Iris Amerine will be shooting photos of your children with Santa. These photos will be available in time for Christmas giving. Buttons will also be made of your child with Santa.

A couple of local clubs will also be selling refreshments and have promised their profits to the Chamber.

And what's the Chamber going to do with the proceeds?

They are going to use the money to place Christmas lights on the

Merkel water tower.

Come by Heritage Hall Saturday and Sunday and support your local merchants and the Chamber's efforts to buy Christmas decorations for the city.

Ol' Man Winter didn't mess around when December rolled around.

Record low temperatures were set here Monday morning. Look on the bright side. No more mowing of lawns and the freeze gave you a great chance to see which pipes in your home were weak, or how well your heating is working this season.

Incredible. I kept saying that as an elated partial gathering of the Richards Clan left Kyle Field after watching the Aggies demolish Texas for the SWC Championship and the Cotton Bowl bid.

The win will make the next couple of million Aggie Jokes a lot easier to listen to.

Ol' Dale even had something to say about the game in his latest effort for The Mail.

I'll tell you strong Aggies support their team. A & M's football coach, Jackie Sherrill is just about the highest paid football

coach in the nation and a banner hung at Kyle Field Thursday said "Give Jackie a Raise."

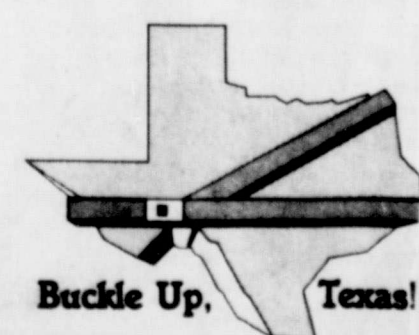
Maybe after back to back SWC championships.

The Merkel High Boys and Girls basketball teams recently performed well off the court.

All of the are eligible to compete for the next six weeks as a result of report cards being issued Monday.

Again, we at least will tie for the best record in the state in that category.

The Our Town segment Tuesday on KTAB-tv in Abilene features Merkel and the Merkel Emergency Medical Service.



## Buckle up or pay up

Drivers and front seat passengers who are not wearing their safety belts while traveling in the jurisdiction of the Merkel Police Department will be subject to citations carrying a penalty of \$25 to \$50, beginning December 1, according to Police Chief Ray Pack.

"Our officers will be joining other police departments and the Department of Public Safety in issuing citations to citizens who are violating this new lifesaving law," he said.

The chief also noted that the period between the effective date, September 1, and the date when penalties begin has given everyone a good chance to get into the habit of buckling up.

"We hope that most citizens are ready now for compliance, but we will be issuing citations to jog their memories when necessary, he said.

"There's no question about the fact that safety belts save lives and lessen the severity of injuries," he said.

He also noted that it's not just a matter of needing belts on the open road since the majority of injury-producing accidents occur at speeds under 40 mph and within 25 miles of home.

Ray told the Merkel Mail today, that although he did not agree that the government should tell us we have to buckle up and that he feels that another right has been taken away, it has been made a state law and he and his officers will do their job. In fact, he said, he has no choice, so please buckle up.

## Davis named to Hendrick Home Board

The Hendrick Home For Children in Abilene has selected a Merkel man, Roy Davis, to serve on the Hendrick Development Council. The council has selected Mr. Davis because of his leadership abilities and his past record

of achievements. He is a former Municipal Court Judge for the City of Merkel, a 1960 Graduate of H.S.U. and was honored by the Wall Street Journal Student Achievement Award during his

senior year at H.S.U. He is also the Music Director at the First Baptist Church in Merkel, where he has served the past 13½ years. We are happy to have Roy Davis join us at Hendrick Home For Children.

## Haynes honored at HSU reception

Mrs. Lucy Haynes, of Merkel, was one of 23 former Olsen Medalist to return to the campus of Hardin-Simmons University Nov. 15-16 for the Olsen Medalist Conference.

Held in honor of all past recipients of the Olsen Medal, the conference included the dedication of the Olsen Medal Commemorative Plaque by the daughter of the medal's founder, Miss Ollie Olsen.

The Olsen Medal was established in 1913 to encourage scholarship and to memorialize the five-year old son of Dr. and Mrs. Julius Olsen who died during an epidemic of measles. The Olsens created the Julius Nelson Olsen

Medal to be awarded to the HSU graduate with the highest academic and Christian standards.

Mrs. Haynes received the medal in 1920.

## McCoy wins Farm Bureau statewide talent contest

Michael McCoy of Merkel, son of Mr. & Mrs. Burl McCoy, won the statewide talent contest at the annual State Convention of the Texas Farm Bureau, held last weekend in Fort Worth. McCoy, a Merkel High graduate

and now a sophomore at Abilene Christian University. McCoy sang a country & western medley for his winning performance.

McCoy was awarded a \$1,500 scholarship from the Texas Farm Bureau for his efforts.



## High school basketball slate

The basketball schedule for the Merkel High School is as follows: Nov. 26 Loraine Here 5:00 J.V. G-Var. B&G; Dec. 3 Loraine There 5:00 JV B-Var. B&G; Dec. 5, 6, 7 Hardin-Simmons Tourn. Varsity Boys; Dec. 5, 6, 7 Winters Tourn. J.V. Boys & Girls; Dec. 10 Anson There 4:00 JV B&G-Var B&G; Dec. 12, 13, 14 Roby Tourn.

Varsity B&G; Dec. 12, 13, 14 Coahoma Tourn. JV B&G; Dec. 17 Stamford There 5:00 JV G-Var B&G; Dec. 19 Haskell There 4:00 JV B&G-Var B&G; Dec. 26, 27, 28 Eula Tourn. Varsity B&G; Dec. 30 Hawley Here 4:00 JV B&G-Var B&G; Jan. 2, 3, 4 Hawley Tourn. JV B&G; Jan. 3 Clyde Here 5:30 J.V. and Var. Girls; Jan. 7 Wylie There 4:00 JV B&G-Var B&G;

Jan. 10 Granam There 6:30 Var. B&G; Jan. 14 Comanche Here 6:30 Var. B&G; Jan. 17 Breckenridge There 5:30 JV B-Var B&G; Jan. 21 Clyde There 5:00 JV G-Var B&G; Jan. 24 Wylie Here 4:00 JV G&B Var B-G; Jan. 28 Graham Here 4:00 Var B&G; Jan. 31 Comanche There 6:30 Var B&G; Feb. 4 Breckenridge Here 5:30 JV G-Var B&G; Feb. 7 Clyde Here 5:30 JV B-Var B

## Freshmen boys take first win

The Freshman boys basketball team dropped its first 2 games before bouncing back to defeat Wylie Saturday in the Cooper tournament.

In our loss to Cooper by a score of 43-52, Martin Landeros had 13,

Tony Trevino 10, Corey Hines and Shane Pletsch 6, Doug Carter 4, Wade Toombs and Monty Griffin each had 2.

In our setback to Brownwood, Martin Landeros led with 10 while Corey Hines added 9.

Wade Toombs had 13, Martin Landeros 11, Corey and Shane 6 each, Tony Trevino 8, James Glaze 5, Monty Griffin 3 and Ray Cobb 1 in our 53-41 defeat of Wylie.

## Garden Club will meet Dec. 19

The Merkel Garden Club met November 21st at the Starr Nursing Home. Becky Rodgers presided over a brief business meeting and Mary Russom presented a devotional program on

the spirit of the holidays. Decorations brought by the club members were then hung on the doors of the residents' rooms and members visited with all the residents.

Refreshments were served to 10 members and nine resident guests by co-hostesses Shirley McBride and Leota Sherrill. Lillian Brenem, of the home, also assisted in serving and Willie Douglas registered club members.

## Reagan honors Stenholm, caucus

President Ronald Reagan recently commended Congressman Charles W. Stenholm and other members of Congress for their efforts to cut wasteful government spending.

At a special Rose Garden Ceremony at the White House, the President honored about 30 House and Senate Members of the Grace Caucus and reiterated that he is "firmly and deeply committed" to reductions in federal spending, such as those being pursued by the Caucus. The Grace Caucus is an informal, congressional group formed to push for the adoption some of the deficit-reduction measures recommended by the Grace Commission. Congressman Stenholm is the Chairman of the Caucus' Task Force on Wage-Setting Laws.

Stenholm said. Previously, only government contractors were required to meet the costly daily overtime standard, while for jobs in all other sectors of the economy, overtime pay was required only for a workweek longer than 40 hours. Under the Stenholm supported reforms, the 40-hour standard now also applies to federal contractors.

"The old Walsh-Healey requirement discouraged small business from competing for federal contracts, increased costs for taxpayers in the billions of dollars and penalized employers and employ-

ees alike," the Stamford Democrat said.

Stenholm's Wage-Setting Laws Task Force reforms were included in a major Department of Defense authorization bill recently passed by Congress and signed into law by the President.

Congressman Stenholm said, "We believe the Grace Report has many valid suggestions. It's impossible to embrace all 2,478 recommendations that the Grace Commission made, and there are some that should not be implemented. But if just a small fraction are adopted, the potential savings will amount to tens of billions of dollars saved every year."



The Jets Cheerleaders placed 2nd in their competitions held Nov. 29th at the Jet Stream Bowl of Pop Warner football. The girls are (from left) Trina Tittle, Cecily Caroland and Lana Rogers. [Staff Photo]



Two members of the second place Jets Pop Warner football team are Cody Tittle (left) and Kobie Clay, both of Merkel. [Staff photo]

"We are happy to note," Stenholm said, "that one of our task force's recommendations has just become one of the earliest Grace Commission proposals to be enacted into law." Stenholm said these Grace reforms of the 49-year-old Walsh-Healey Act discouraged companies with government contracts from using flextime or compressed workweeks for employees by requiring overtime pay for hours worked in excess of eight per day.

"This is only one of several antiquated wage laws our task force has been trying to reform."

## Public Notice

AN ORDINANCE AUTHORIZING THE TAYLOR ELECTRIC COOPERATIVE, INCORPORATED TO CONSTRUCT, MAINTAIN AND OPERATE AN ELECTRIC UTILITY SYSTEM IN THE CITY OF TRENT, TAYLOR COUNTY, TEXAS

Section 1. Be it ordained by the City Council of the City of Trent, Texas, that the Taylor Electric Cooperative, Incorporated, a Texas corporation (hereinafter called "Corporation"), its successors and assigns, is hereby granted a franchise by the City of Trent for the purpose of operating an electric utility system in said City for a period of twenty-five (25) years from the passage of this ordinance.

Section 2. The Corporation shall place its facilities in such manner as to not interfere with the ordinary travel and use of the streets, alleys, and other public grounds during the life of this franchise.

Section 3. The Corporation shall have the right to furnish electric service, during the life of this franchise, to all consumers that the law permits the Corporation to serve in the city and to extend its system along, upon and across public grounds, streets and alleys within the city's corporate territory.

Section 4. The Corporation shall pay the City annually each year, during the life of this franchise, two (2) percent of its gross receipts from all of its sales of

electric service used within the City of Trent, exclusive of sales to the City, as compensation for this franchise. They City may have the books and accounts of the Corporation audited at its own expense in order to determine the amount of franchise

payment due the City for any year, and failure on the part of the Corporation to pay said compensation within 60 (sixty) days after the amount is determined to

be due, this franchise and all rights and privileges herein granted shall be forfeited to the City, and City shall have the right to collect any franchise payment due and owing the City by all legal and equitable remedies given by law for the collection of debts.

Section 5. This franchise is not exclusive, and the City reserves all rights to grant any other franchises similar in nature as is provided by the Laws of the State of Texas.

Section 6. The Corporation agrees to indemnify the City of Trent and the City Council of said City from all claims arising out of the construction, maintenance and operation of said electric utility system.

PASSED and APPROVED on this 12th day of November, 1986.

CITY OF TRENT, TEXAS  
By: Randy Hunt, Mayor  
Attest: Shannon Payne  
City Secretary.  
141-115-2tc

## SWEETWATER CATTLE AUCTION

CATTLE SALE

Every Wednesday

Sale Starts at 11:30 a.m.



Joe Helms

Owner (915) 235-4649

Sweetwater Sale Barn

(915) 2366377

We now have some room

and are buying Milo

Check our Prices

Cal-Tex Feed Yard

862-6111

201 EDWARDS

MERKEL

928-4711



A big, elegant Wall Saver® with thick single-welt seat cushion, button-tufted pillow back, large padded roll arms, plus a neat kick pleat skirt.



Save up to  
**\$100<sup>00</sup>**  
On Recliner



A GENUINE  
TELL CITY  
ROCKER

SAVE  
**\$25<sup>00</sup>**

ON ALL TELL CITY  
ROCKERS

SALE PRICES LIMITED TO  
STOCK ON HAND

**Starbuck  
Furniture**

## Valley Flying Service

928-4043

GREEN BUGS

ARE DAMAGING WHEAT IN THE MERKEL AREA. YELLOW SPOTS OR STREAKS ARE SIGNS OF GREENBUGS FOR A FREE BUG INSPECTION, CALL RAY QUINN VALLEY FLYING SERVICE

600 MARION STREET MERKEL

928-4043 or in GUYMON, OKLA CALL 405-338-3162

## D & T AUTOMOTIVE & TIRE SERVICE

ALL TYPES OF AUTO REPAIR ENGINE REBUILDING  
BRAKES ALTERNATORS TUNE-UPS

AIR CONDITIONING & CARBUKATORS

INTERSTATE BATTERIES & SUMMIT TIRES

924 NORTH FIRST

MERKEL

928-4954

VAN SEYMORE:

HOME 928-5724

TOM WILLIAMSON

HOME 928-4042

(ALL WORK GUARANTEED)



## Badger boys are 3-0 for season

The Merkel Badgers ran their record to 3-0 here last Tuesday as they downed Loraine 55-38.

Sophomore Ted Seymore led the way with 14 points and Freshman Kenneth Jowers tossed in 13.

Boys coach Skip Townsend told **The Mail** Tuesday "I played a lot of people in that game. Earlier in the year we showed a lot of hustle and spunk, but we didn't have that against Loraine."

This weekend, the Badgers will be facing their first "tests" on the court.

The Badgers are in the Hawley Tournament and the field includes Eula, Hawley and Wylie. Townsend said "If we can't get fired up for this weekend then we won't be able to get that way for anyone."

He also said the Badgers were being hampered by injuries to Shayne Newberry and Ramon Moreno. Townsend also said Matt Cain, the team's leading scorer in the 84-85 season, was learning to use his knee brace.

Townsend said "We have some real good material here but we need to hustle, play ball, and play as well up to our expectations. That will happen here, I don't know when, but it will happen."

This weekend, the JV team will play in the Anson Varsity tournament. The JV faces Trent in the first game.

## Freshmen girls

come back to  
beat Abilene High

The Merkel Freshman girls team won their first game of the season as they scored 14 points in the final quarter to beat Abilene High 31-23 here Monday night.

Melinda Baker led the way with 11 points and Julie Koflanovich added 7 in the win.

Rounding out the scoring were Bena White with 6, Anissa Jones with 3 and Pam Neff and Richa Hill with 2. Baker also led in rebounds with 6.

Coach Rhonda Rainwater told **The Mail** Tuesday "We made way too many turnovers but I was proud of the team for coming from behind to win. These girls have improved a lot over last year."

The Freshmen will be in the Coahoma Tournament Dec. 12, 13 & 14 and their next game until after Christmas.



DALE FIRMENBERG

## Varsity girls are 2-1

The Merkel High varsity girls took a 2-1 record into Tuesday's game with Loraine (details not available at press time.)

The Badgers opened their season with a win over Anson, a loss to Sweetwater and a win over Loraine.

In the opening game of the season, Stacey Newberry led the way with 12 points and Kelly Beights chipped in 10. The Badgers won 47-28 and coach Renee Hicks said she felt the team was showing the beginning stages of working as a unit.

In the Sweetwater game, the Badgers lost 63-44 as Newberry again led the way with 18 points. The coach said the team finally broke a press that had given them a hard time in the game. She liked

the play of Sherry Riney, Amy Irvin and Michelle Woodard moving the ball.

The Badgers won here last Tuesday night by overpowering Loraine 62-23. Kelly Beights led the way with 21 in her best game of the year. She also had rebounds.

The girls will be in the Hardin-Simmons Tournament this weekend and will face strong competition from Sweetwater, Brownwood and Wylie.

Coach Hicks told **The Mail** "So far, I am pleased with the improvements made by the team and if we can keep improving, we may surprise a few people."

Next Tuesday, the Badgers travel to Anson with games starting at 4 p.m.

## 8th grade blasts St. John's

The Merkel 8th grade boys played St. Johns in Abilene November 25. Merkel won 67-12.

Kyle Doan and Steven Jacobs had 10 points each for high point. Mike Blue had 9 points, David Thomas and Brandon Rice had 8 points each, Randy Toombs and Steven Bauer had 6 points each, Toby Dupont, Chip Townsend, Owen Tevebaugh, Shannon Rader, and Dusty McCloud had 2 points each. Johnny Thomas and Scotty Myers did not score but played well defensively.

Monday night, December 2nd, Merkel's 8th grade boys were

defeated 39-36 by Wylie at Wylie.

Scoring for Merkel were Randy Toombs 9 points, Kyle Doan 8 points, Chance Ferguson 6 points, Stephen Jacobs 4 points, Steven Bauer 3 points, David Thomas, James Talent and Dusty McCloud had 2 points each.

Merkel will meet Wylie again later in the year at Merkel and the outcome will be different.

This weekend the 7th grade boys and girls will be in the Wylie Tournament. Next Monday the girls will travel to Clyde and the boys will host the Clyde boys team here. The 7th grade boys begin at 5:00 p.m.

## Shanks' services held

Marie Lucille Shanks, 64, of Merkel, died Nov. 29 at Hendrick Medical Center in Abilene following a brief illness.

Funeral services were held Dec. 1 at the Starbuck Chapel. Burial followed at Rose Hill Cemetery here under the direction of the Starbuck Funeral Home.

She was born September 19, 1921. She married Hal C. Shanks May 5, 1969 in Salmon, Idaho. He died Nov. 23, 1973.

She moved to Merkel in 1969 and was a member of the Grace

Presbyterian Baptist Church. She is survived by three sons, Len Steinborn of Abilene, Jim Steinborn of Butte, Mon., and Joe Steinborn of Buras, La.; four daughters, Rita McGarry of Butte, Jeanette Martin, also of Butte, Cecelia Carter of Abilene and Phyllis King of Abilene; a sister, Phyllis Nervis of San Diego, CA. 16 grandchildren and two great-grandchildren.

Pallbearers were Ted Thompson, Bill Pamplin, Tony Dycus, Kent Satterwhite, Duane Shugart and Johnny McDaniel.

## Services held for Mrs. Smith

Mrs. George (Arva) Smith, 87, a longtime resident of Merkel, died Monday at her residence. Services were held Wednesday at Starbuck Funeral Home with the Rev. John Wagener, pastor of First United Methodist Church, officiating. Burial was in Rose Hill Cemetery.

She was born Arva Bowers, July 4, 1898, in Quinlan where she married George Franklin Smith Oct. 16, 1918. He died in January of 1960. She had been a resident of Merkel for 65 years and was a

member of the Church of Nazarene.

A son, Lindy, also preceded her in death.

Survivors include a son, Eulysse of Merkel; two daughters, Euveta Tittle of Merkel and Alvarie Stokes of Bowie, Md.; a sister, Florence Roberts of Sherman; eight grandchildren; and three great grandchildren.

Pallbearers were George Gilchrist, Bob Gilchrist, O.R. Gladden, Floyd Smith, Cracker Bartlett and Elmo Moore

## Trent names 'A' students

Trent's A Honor Roll is as follows: Matt Davis, T.J. Roberts, Wendy Harwell, Amy Barnes, Laura Griffith, Teri Brazelton, Allison Davis, Jaime Ray, Charlie

Wood, Crystal Christensen, Sarah Griffith, Justin Williams, Sara Rios, Jamie Masonheimer, Melony Orr, B.J. Poindexter, Luci Masonheimer, Janna King.

## Buy a John Deere Chain Saw and the free Stetson® may come in handy

When you buy a John Deere chain saw, we'll give you a Stetson hat! Just tell us you want to "top off" your chain saw purchase with a Stetson.

Nothing less than a quality Stetson would be appropriate for John Deere chain saws. Choose from ten different models. All are available with sprocket-nose guidebar—14 to 27 inches long—and have rugged cutting action.

Stop in today, buy a John Deere chain saw and top it off with a Stetson.



Offer expires December 31, 1985.  
One Farm Supply  
3526 S. Treadaway  
692-2255  
Nothing Runs Like a Deere®

## Pre-Holiday SALE

ALL SIZES-GREAT SELECTION OF FRESH  
**CHRISTMAS TREES**

**\$8.99**  
AS LOW AS



TV SPECIAL  
DEL MONTE  
WHOLE  
**GREEN BEANS**

**2** 16 OZ. CANS **89¢**



TV SPECIAL  
OSCAR MAYER  
**MEAT WIENERS**

**2** 16 OZ. PKG. **99¢**



TV SPECIAL  
SHUREFINE  
CS-WK  
**GOLD CORN**

**4** 17 OZ. CANS **\$1**

BORDEN'S HOMOGENIZED

**MILK**

**\$1.99**  
1/2 GAL. CTN.



BORDEN'S ASSTD. FLAVORS

**ICE CREAM**

**\$1.79**  
1/2 GAL. CTN.

COOKED FOOD SPECIALS!

FAST & HOT  
**SAUSAGE & BISCUITS**

**99¢**  
FOR

ALLSUP'S  
**HOT LINKS**

**2** FOR **99¢**

GREAT TASTING  
**ONION RINGS**

**59¢**  
FOR

SCOTT  
**TOWELS**  
JUMBO ROLL **68¢**

**TIDE**  
GIANT SIZE **\$1.89**

SHUREFINE  
**COFFEE**  
1 LB CAN **\$1.97**

VIDEO MEMBERSHIPS 1.00  
MONDAY THROUGH WEDNESDAY  
2 for 1 RENTALS  
VCR RENTALS \$5 per day



POP SPECIAL  
PEPSI-REG. OR DIET  
PEPSI FREE-PEPSI LIGHT

**\$1.99**  
16 OZ  
6 PACK

PRICES EFFECTIVE  
DEC. 5-7, 1985

**ALLSUP'S**  
CONVENIENCE STORES

WHILE SUPPLIES LAST.

OPEN THANKSGIVING DAY

ICE-MILK-BREAD-FRESH PRODUCE-SNACKS-  
BROWN & SERVE ROLLS-CHIPS & DIPS-FILM & FLASH-  
HOT COOKED FOODS-SELF SERVE GAS

"... More hearth-warming than a heat pump!"

LONE STAR GAS  
Proudly Presents

MY FAIR  
FURNACE

in

The  
**GAS**  
advantage

FEATURING  
a NATURAL GAS FURNACE

WARMER AIR FLOW • LESS DRAFT • EXTRA ENERGY EFFICIENCY • GREATER COMFORT • MORE ECONOMY



Lone Star Gas Company

NOW AT THE GAS APPLIANCE DEALER NEAREST YOU!



**FOR SALE**

We make hydraulic hoses.  
**P & L Auto Parts**  
 135 Edwards  
 928-4738

**TFC**  
**S P & L Auto Parts is**

P & L Auto Parts is open from 7:30 a.m. until 6 p.m. Monday - Friday and from 7:30 a.m. until 3 p.m. on Saturday.

Want A Fireplace ahead of its time? Try the IN-FURN-O at AMERINE MECHANICAL 502 Kent St. Merkel, Tx. 141-TFC

Pecans for Sale: This year's in the shell \$1.00 per pound or shelled \$4.00 per pound. Call 928-5782 or come by 1403 Herring. 138-71p

For Sale: three lovely afghans. Make beautiful Christmas gifts. Also have crocheted items. Call 928-5674. Mrs. Craig Humphrey 1507 Sunset. 140-2tc

Pecans For Sale at 506 Runnels, Call 928-5719. 140-2tc

**WOOD STOVES OF MERKEL**  
 -Fireplace inserts.  
 -Free standing units.  
 -Mobile Home Units.  
 Wood burning stoves can heat your house for pennys with the NORDIC, made in America famous brand stove. See burning models on display at AMERINE MECHANICAL 502 Kent St. (FM 126) Merkel, Tx. Ph. 928-4876. 141-TFC

For Sale: Washer, dryer electric range, all working. Call 928-5262 after 5:00 p.m. 141-2tc

SIX-R-TALK Top quality tack at the lowest prices. Come see us at the Merkel Mini-Mall Heritage Hall Dec. 7 & 8 or call 736-6372. 142-1tc

For Sale: Get your first copy of Cabbage Patch Magazine at Crafthouse Ceramics, 105 Runnels, Good Stocking Stuffer. 142-2tp

For Sale: Headache racks, plastic pipe, aluminum safe, used lumber. See at 3rd house north of Walls, 928-5416 after 6 p.m. 142-1tc

Own Your Own jeansportsweat, ladies apparel, childrens, large size, petite, combination store, maternity, accessories. Jordache, Chic, Lee, Levi, E Z Street, Izod, Esprit, Tomboy, Calvin Klein, Sergio Valente, Evan Picone, Liz Claiborne, Members Only, Gasoline, Healthtex, over 1000 others. \$13,300 to \$24,900 inventory, training, fixtures, grand opening, etc. Can open 15 days, Mr. Loughlin (612) 888-6565. 142-1tc

Pecan Halves \$3 a pound 862-6471. 142-11nc

**PUBLIC AUCTION**  
 Sat. Dec. 7, 1 p.m. 702 Orange, Merkel, Tex. House sold subject to owner's approval. Good quality contents such as organ, furniture, washer dryer, antique clock, guns, etc. for auction. Also houses in excellent condition at 704 Orange, 302 and 304 S. 2nd to be auctioned. Inclement weather will postpone sale for 1 week. 673-3319, 673-2165. 142-1tp

Pecan Halves \$3.00 per pound, 862-6471. 142-1tc

PA System For Sale, excellent for church or small singing group. New condition, has microphones. Call Roy Sharp 862-6322. 142-1tc

Pecans in shell, natives and paper shell mixed 50 cents pound, fair quality call 928-5651. 142-1tc

Portable Buildings by General Shelter of Texas 6x8 to 14x60, as low as \$325. Free Brochure. 915-928-4827, 1-9 p.m. Buffalo Energy. 142-5tp

1974 Ford Courier, good transportation, standard trans., \$1,100. 1-537-2348. 142-3inc

# Classifieds

For Sale: 1979 Ford Fairmont Stationwagon, \$1,250.00, 928-4431. 142-1tp

**For rent**



Shannonside Apartments 1 & 3 bedroom apartments, all electric, central heat & cooling. For more information, call 928-5038. 89-TFC

Lease with option to buy 1 year old brick home on 1 acre FM 1235. Central heat and air, 2 bedrooms, double garage, all build-ins, \$475 per month. Appraised at \$53,000. Hooker Realtors 677-9145. 111-TFC

Mobile Home Space for rent in Merkel, \$35 per month, Pat McAllister 846-4715 or 846-4696. 139-4tc

For Rent: 3 bedroom house, stove, refrigerator, washer and dryer, ceiling fans, fenced yard \$300 month, \$150 deposit, 928-5194. 134-TFC

For Rent: 2 bedroom rock house, stove, refrigerator, \$250 a month, \$150 deposit, 2 blocks from school. 928-5194. 134-TFC

1, 2 or 3 bedroom mobil home for rent in Merkel 928-4973. 27-TFC

Mobil Home for lease with option to buy, two bedroom, 1 bath, completely furnished, one bedroom has a king sized bed, before 5 call 692-0702 after 5 call 928-4034. 107-TFC

Mobile Home Lots For Rent: 1st month free, west end of south 7th street, \$50 a month, Call 928-4973. 138-TFC

For Rent: 2 bedroom house, carpeted, city water, fenced yard, real nice, Call 928-5189. 142-1tc

For Rent: small 2 bedroom house, 1 mile from town, water furnished, call 928-5635 at night. 142-TFC

For Rent: 2 bedroom, living room, dining room, kitchen, central air and heat, stove, refrigerator, washer, dryer, edge of town on 1 acre. \$375 per month, \$150 deposit. Call 928-5194. 142-TFC

For Rent: 2 bedroom with woodburning stove, dishwasher, refrigerator washer-dryer, stove \$250 per month, \$150 deposit 928-5194. 142-TFC

Small tract Southside of Merkel (21 lots) excellent for building site. Also, in Bettis Heights Addition, 150 X 150. Call Cy Pee, Agent 928-5613. 129-TFC

Over 2200 sq. ft. available on the edge of Country Club. Being completely redone and needs someone to steal it at this lowered price. Three br., 3 ba., formal living and dining—Call Debbie at 695-6105 or Dalzell Realtors 691-1300 for private showing and all the details.

Owner needs someone to love his big 3 br., 2 living area home on 9.96 acres. Detached garage for storage. Lease Purchase WELCOME SUPER HOUSE AND SUPER PRICE Call Dalzell Realtors 691-1300 and ask for Marion or Debbie or call 698-3431 or 695-6105. Dalzell Realtors, 3262 Chimney Rack, Abilene Texas 79606, 691-1300. 137-4tc

Exceptional bargain, 4 bedroom, 2 bath, double wide with central air and heat, 3 city corner lots, privacy fence, well, storage sheds and garden. Assumable 928-5425. 138-TFC

2 or 3 bedroom stucco house on four acres 1 mile west of Trent on I-20. Low 30s, 862-6361. 142-4tc

House For Sale: 2 bedroom, living room, dining room, kitchen, house is ready to move into. New paint inside and out, price is right, call Cy Pee, Agent 928-5613. 126-TFC

For Sale: "To settle estate", Duplex Apartment plus 3 car garage apt. 711 Yucca, See V.H. or H.J. Carson 928-5445 or 928-5231. 132-TFC

Ideal Starter home, cute little 2 bedroom frame house, living room, bath remodeled kitchen with stove, big back yard, \$18,500 call 928-4426 after 5 p.m. 132-TFC

Nice Doublewide mobile home for sale, cheap \$12,000.00 Must sell soon, Unoccupied at this time, needs little work and must be moved, 928-4902. 126-TFC

Small tract Southside of Merkel (21 lots) excellent for building site. Also, in Bettis Heights Addition, 150 X 150. Call Cy Pee, Agent 928-5613. 129-TFC

Over 2200 sq. ft. available on the edge of Country Club. Being completely redone and needs someone to steal it at this lowered price. Three br., 3 ba., formal living and dining—Call Debbie at 695-6105 or Dalzell Realtors 691-1300 for private showing and all the details.

Owner needs someone to love his big 3 br., 2 living area home on 9.96 acres. Detached garage for storage. Lease Purchase WELCOME SUPER HOUSE AND SUPER PRICE Call Dalzell Realtors 691-1300 and ask for Marion or Debbie or call 698-3431 or 695-6105. Dalzell Realtors, 3262 Chimney Rack, Abilene Texas 79606, 691-1300. 137-4tc

Exceptional bargain, 4 bedroom, 2 bath, double wide with central air and heat, 3 city corner lots, privacy fence, well, storage sheds and garden. Assumable 928-5425. 138-TFC

2 or 3 bedroom stucco house on four acres 1 mile west of Trent on I-20. Low 30s, 862-6361. 142-4tc

**GARAGE SALES**

Just Married Sale: Have two of everything, 2 chairs and audiman, large wood dining table and 4 chairs, Hoover convertible self propelled vacuum, aluminum jar-b-q, book case and headboard for twin bed, 10 speed bikes, lamps, electric leaf mulcher, Saturday and Sunday only Pleasant Valley, 4 miles North of Merkel on FM 126 just past FM 605, 928-4186. 142-1tc

Garage Sale: at Gorilla Arcady, Thursday-Sunday plus gifts galore. Main street in Trent, gift shop open everyday. 142tc

**MISC.**

Need someone to help with housework and taking care of a sick person. Call 928-5467. 12-1tc

The Family of Mrs. George (Arva) Smith 142-11nc

KID'S KORNER DAY CARE CENTER 2nd & Oak Open Monday - Friday 6:30 a.m. until 5:30 p.m. Call 928-4381. 66-TFC

Germania Insurance Company, for your insurance needs. Locally represented by Donna Carter, 928-5348. 33-TFC

Electrical work, new or rewiring, ceiling fans, reasonable rates. Quality work, no job too small, Call anytime 928-5795. 142-5tp

Heavy Duty Appliance and Furniture Dollies to rent out. Don't hurt your back, call Fred 928-5827 8 a.m. to 5 p.m. 7 days a week. 11p

GRANNY'S PLAYHOUSE Licensed Child Care, Open 6 a.m.-5:30 p.m. at 207 Orange, 928-4904. 133-13tp

Quality T.V. Service, for tv servicing call 928-4378 142-1tp

Taking orders for Christmas baking. Melba 928-4330. 142-2tp

Want To Buy a good, used playpen. Call Marie Wheeler 928-5735. 142-1tc

Great ideal for Christmas: Adopt a pet. Very nice female pointer, sweet male kitten, cute 7 week old pups (one male, two female), quiet mixed breed female dog Merkel Vet Clinic 928-5235. 142-11nc

PROFESSION DOG GROOMING ALL BREEDS HAND FLUFF DRY HAND SCISSORING FREE POLISH BOWS AND COLOGNE Please Call Faye at 928-4474 after 1:00 for appointment. 137-TFC

**CARD OF THANKS**

We would like to thank all our friends and neighbors for all their prayers, cards, food and flowers through the illness and passing of our loved one. We would especially like to thank Rev. John Waggoner for his visits in the hospital and at home. His counseling and guidance will always be remembered as well as the beautiful service. Our special thanks to Madelyn and Buster Horton for the beautiful music.

The Family of Mrs. George (Arva) Smith 142-11nc

To all the wonderful people of Merkel, we want to express our appreciation for cards, flowers, visits, telephone calls and prayers during my stay in the hospital and at home. May God's blessings rest upon each of you for your thoughtfulness. Henry and Leta Brady 142-11c

We thank all of our many friends in Merkel and the surrounding area for the expressions of sympathy, for your concern, for your calls and prayers during the illness and loss of our wife and mother, Annie Dishman. Wright Dishman Irene Dalton & Family Kay Ford & Family 142-11nc

Electrical work, new or rewiring, ceiling fans, reasonable rates. Quality work, no job too small, Call anytime 928-5795. 142-5tp

Heavy Duty Appliance and Furniture Dollies to rent out. Don't hurt your back, call Fred 928-5827 8 a.m. to 5 p.m. 7 days a week. 11p

**PUBLIC NOTICE**

Bids are being accepted by MISD for the following lots in Bettis Heights.

Lots 1, 2, 3, 4 & 11; Block S; Bettis Heights Lots 7, 8 & 9; Block M; Bettis Heights Lot 11; Block N; Bettis Heights

Sealed bids may be dropped off at the Superintendent's Office, 3rd & Ash Street or Mailed to: Merkel ISD / Bids P. O. Box 430; Merkel, Texas 79536.

Deadline for bid submission will be Friday, December 13, 1985 at 2:00 p.m. Bids will be opened at the December 17, 1985 Board meeting. 141-23-2tc

**NOTICE OF SHERIFF'S SALE**  
 THE STATE OF TEXAS County of Taylor  
 NOTICE IS HEREBY GIVEN That by virtue of a certain Order of Sale issued out of the Honorable County Court of Taylor County, of the 15 day of November 1985, by Order of Sale of said Carey Chapman Drilling Corp.—Circle C. Drilling for the sum of Six Thousand Ninety one Dollars and no/ 100 and costs of suit, under a Judgment, in favor of

Witness my hand, this 15 day of November, 1985. John W. Middleton, Sheriff Taylor County, Texas By Edditt Swanson, Deputy. 140-3tc-109

The Reeves Company in a certain cause in said Court, No. 14,202 and styled The Reeves Company vs. Carey-Chapman (C-C) Drilling Corp Circle C. Drilling Co., placed in my hands for service, I John W. Middleton, as Sheriff of Taylor County, Texas, did, on the 15 day of November, 1985, levy on certain Real Estate, situated in Taylor County, Texas, described as follows, to-wit: including but not limited to, tank batteries, pump jacks, pipe, and any and all oil and gas in place, situated thereon, to-wit: Being the Schneider Leases # 20017 and # 20122, located in Section One Hundred Forty - Five (145), Block Sixty-Four (64), H&TC RR. Co. Surveys, in Taylor County, Texas, and being more particularly described as follows, to-wit: Lease 1A: Located 589 feet from the north line and 467 feet from the east line (lease line), and 589 feet from the north line and 505 feet from the west line (survey line), of said Section 145; and Lease 2A: Located 330 feet from the east line and 1520 feet from the north line (lease line), and 444 feet from the west line and 1520 feet from the north line (survey line), of said Section 145; and levied upon as the property of Carey-Chapman Drilling Corp.—Circle C. Drilling and that on the first Tuesday in January 1986 the same being the 7th day of said month at the Court House door, of Taylor County, in the City of Abilene Texas, between the hours of 10 a.m. and 4 p.m., by virtue of said levy and said Order of Sale I will sell said above described Real Estate at public vendue, for each, to the highest bidder, as the property of said Carey-Chapman Drilling Corp. And in compliance with law, I give this notice by publication, in the English language, once a week for three consecutive weeks immediately preceding said day of sale, in the Merkel Mail, a newspaper published in Taylor County.

Witness my hand, this 15 day of November, 1985. John W. Middleton, Sheriff Taylor County, Texas By Edditt Swanson, Deputy. 140-3tc-109

Sealed bids may be dropped off at the Superintendent's Office, 3rd & Ash Street or Mailed to: Merkel ISD / Bids P. O. Box 430; Merkel, Texas 79536.

Deadline for bid submission will be Friday, December 13, 1985 at 2:00 p.m. Bids will be opened at the December 17, 1985 Board meeting. 141-23-2tc

**NOTICE OF SHERIFF'S SALE**  
 THE STATE OF TEXAS County of Taylor  
 NOTICE IS HEREBY GIVEN That by virtue of a certain Order of Sale issued out of the Honorable County Court of Taylor County, of the 15 day of November 1985, by Order of Sale of said Carey Chapman Drilling Corp.—Circle C. Drilling for the sum of Six Thousand Ninety one Dollars and no/ 100 and costs of suit, under a Judgment, in favor of

Witness my hand, this 15 day of November, 1985. John W. Middleton, Sheriff Taylor County, Texas By Edditt Swanson, Deputy. 140-3tc-109

**ALL WORK GUARANTEED**  
**ALL TYPES PLUMBING SUPPLY**  
**CONSOLIDATED PLUMBING**  
 Radio Dispatched Trucks  
 For Fast Dependable Service  
 102 KENT  
 928-5827 or 928-5263  
**OLD & NEW WORK**  
**BACKHOE & TRENCHER**

**The Merkel Mail**  
 Cloy A. Richards—Editor—Co-Publisher  
 Melanie Richards—Co-Publisher  
 Published at 916 North 2nd, Merkel, Texas  
 Entered as Second Class Mail at the U. S. Post Office, Merkel, Texas 79536

**Subscription Rates**  
 \$10 per year in Taylor County  
 \$11.75 Anywhere in Texas  
 \$12.50 per year out of state

Member  
**TEXAS PRESS ASSOCIATION**  
**NATIONAL NEWS PHOTOGRAPHERS ASSOCIATION**

**NOTICE**  
 Typographical or other errors must be brought to our attention before the second insertion or claims for refund will not be recognized.

**CLASSIFIED RATES**  
 Classifieds are \$2 for the first 18 words and 10 cents for each additional word paid in advance. A 75 cent billing fee is added to all charged adds

**LEGAL RATES**  
 Legal notices are 55 cents per line for the first insertion and 45 cents per line for each additional insertion.

Business Phone (915) 928-5712  
 Recorder on after hours or when out  
 Correspond to Box 428, Merkel

Merkel's Oldest Business  
 Publishing Weekly since 1889

Congress shall make no law abridging the Freedom of the Press  
 Publisher reserve the right to cancel any advertisement at any time

**FOR ALL YOUR INSURANCE NEEDS**  
**SEYMORE INSURANCES**  
 ...Auto, Property, General Liability  
 Crop, Health, Life, Disability, Tax-shelters,  
 retirement, Educational plans.  
**102 EDWARDS 928-5379**  
**FARMERS UNION SERVICE POINT**

**COUNTRY UPHOLSTERY SHOP**  
**LOWEST PRICES AROUND**  
 FREE ESTIMATES  
 LOIS GALLOWAY  
 ½ MILE EAST OF STUCKEYS  
 928-5356

**MERKEL VETERINARY CLINIC**  
 OPERATED BY  
**BRADLEY R. BANNER, DVM**  
**KATHRYN L. BANNER, DVM**  
 SAME LOCATION FM 126 NORTH  
 HOURS: MON-FRI 8:30-5:30  
 CLOSED FROM 12 - 1 FOR LUNCH  
 SATURDAYS 8 UNTIL NOON  
**928-5235 FOR APPOINTMENTS**  
**928-4176 FOR EMERGENCIES**

**FOR SALE**  
 APARTMENTS 11 UNITS PLUS  
 LAUNDRY AND MINI STORAGES  
 100% OCCUPIED,  
 ONLY 2 YEARS OLD,  
 EXCELLENT TAX SHELTER  
 CALL 915 728-8619 or 737-2485

**PRE-PAID FUNERAL PLANS**  
**CEMETERY HEADSTONES**  
**BURIAL INSURANCE**  
**LIFE INSURANCE**  
**STARBUCK FUNERAL HOME**

★★★★★★★★★★★★★★★★★★★★  
**MOM'S DAY OUT**  
**EVERY THURSDAY**  
 8:30 a.m. - 2:30 p.m.  
**KID'S KORNER**  
 (DAY CARE CENTER)  
**ONLY \$5.00**  
 201 OAK 928-4381  
 ★★★★★★★★★★★★★★★★★★  
**LESTER HUMPHREY**  
**TERMITE AND PEST CONTROL**  
 1202 PINE 677-2413

**Munden Welding**  
**SATISFACTION GUARANTEED**  
 928-5206 All types of welding  
 ½ Mile West of water tower  
 on FM 126 South

LARRY BEASLEY 25 Years Of Experience  
 Owner  
**BEASLEY GARAGE AND BODY SHOP**  
 All Type Mechanic Work  
 Painting and Body Repair  
 807 Oak Street  
 Merkel, Texas 79536  
 Phone: (915) 928-4967



**Garden club  
holds meeting**

The Merkel Garden Club met November 21st at the Starr Nursing Home. Becky Rodgers presided over a brief business meeting and Mary Russom presented a devotional program on the spirit of the holidays.

Decorations brought by the club members were then hung on the doors of the residents rooms and members visited with all the residents.

Refreshments were served to 10 members and nine resident guests by co-hostesses Shirley McBride and Leota Sherrell. Lillian Brenem, of the home, also assisted in serving and Willie Douglas registered club members as visitors to the nursing home.

Members present were: Becky Rodgers, Olga Peachy, Leota Sherrell, Mary Russom, Shirley McBride, Billie Hartley, Georgia Alladay, Lottie Everett, Inez Detrick, and Alice King. Residents participating were: Lillian Brenem, Willie Douglas, Ollie Dethrage, Erma Claxton, Murel Smith, Lula Land, Ruby Griffin, and Ruth McHugh. Also attending as a guest was Mattie Lou Buchanan.

The next meeting will be the annual Christmas luncheon and gift exchange on December 19th at the home of Shirley McBride.

**Area pecan show set**

The 10th Annual Abilene Area Pecan Show and Bake Sale will be held on Thursday and Friday, December the 5th and 6th at the Westgate Mall. Entries will be received in the nut division from 8:30 a.m. to 1 p.m. on Thursday, December 5th. Entries will be received in the food division from 8:30 a.m. to 6 p.m. on Thursday, December the 5th. The Bake Sale will be conducted by the Taylor County Extension Homemakers on Friday, December the 6th from 8:30 a.m. to 5 p.m.



§ Cassie Townsend of the Merkel FFA placed 7th last week at the Area IV contest held at Tarelton State University in Stephenville. Cassie was 7th in extemporaneous speaking and was first at the district contest three weeks ago. [Staff photo]

**Xi Nu Chi holds meeting**

Beta Sigma Phi's Chapter Xi Nu Chi met in the home of Anita Allen's for the November 26th meeting. The business meeting included several topics of community interest. A special thanks to the community in response to a successful bake sale for the needy children was noted. Chamber of Commerce requested volunteers to work at the Christmas Fair to

be held Friday and Saturday. The nightly program was a variety of western dance steps demonstrated by Minyon Seymore and Donna Bryan. A dinner salad with cheese, crackers, and hot cider were served to the following members, Donna Bryan, Nancy Johnson, Nancy Duncan, Mary Hill, Judy Elliott, Minyon Seymore, Anita Allen and Diana Parker.

**Trent seniors plan Christmas dinner**

The Trent Community Christmas Dinner will be served by the Trent Senior Class Friday at the

school cafeteria. The dinner will begin at 7 p.m. and will cost \$5 per person. Everyone is invited.

**MISD school lunch menu**

The Merkel school menu is as follows:

Wednesday Dec. 4: Beef tacos, shredded lettuce, tomato, cheese, pinto beans, strawberry jello squares with applesauce.

Thursday Dec. 5: Fried chicken, with cream gravy, whipped potatoes, french style green beans, hot rolls, fruit salad.

Friday Dec. 6: Cheeseburgers, lettuce, tomato, onion, pickle, french fries, chocolate brownies with fudge frosting.

Monday Dec. 9: Pimento cheese sandwiches, lettuce and tomato

salad, pork n beans, apricot sliced peaches with topping, macaroons.

Tuesday Dec. 10: Meatloaf, with beef and cheese, english blackeyed peas, seasoned spinach, peas, buttered corn, garlic batter corn meal twist, jello with fruit, bread, sliced pears.

Wednesday Nov. 11: Chicken fried steak with gravy, whipped potatoes, green beans, hot rolls, french fries, peanut butter cookie.

**MEET YOUR LOCAL AREA CUSTOMER SERVICES STAFF.**

*Our Obligation Is To Our Customers.*



M.L. Brownlee—installation repair supervisor

Contel's customer services staff is dedicated to service. It is our responsibility to you and to our other local customers to provide the services you need and answer any questions you may have. It is our responsibility to you and to our other local customers to maintain dependable telephone service around the clock every day of the year. To meet our obligation, we are continually upgrading our equipment and expanding our service offering.

M.L. Brownlee began his career with Contel in October 1977 as an installation repairman in Merkel, Texas. He moved to Baird in July 1978 in installation repair. In October 1978 he was promoted to installation repair supervisor, the position he has currently. He is also supervisor to the Baird, Merkel, Cross Plains and Rising Star area. Before coming to Contel, Mr. Brownlee had 16 years service in telecommunications.

There are limitations, of course, to what we can do and how quickly we can do it. We're doing our best and when we can't do it all, it is as much a concern to us as it is to you. For Contel is more than switching equipment, telephones and service vehicles. We are neighbors who share your local interests, area problems and community pride. We rather like that.

**CONTEL** Continental Telephone of Texas

**The Merkel Mail is the Christmas gift that arrives 52 times each year. We will mail a card telling of your gift with each subscription. Rates are \$10 in County \$11.75 in Texas and \$12.50 out of state. Complete this form and mail to Box 428, Merkel**

Name \_\_\_\_\_

Address \_\_\_\_\_

City \_\_\_\_\_

STATE \_\_\_\_\_

Zip \_\_\_\_\_

**Remind Your Crew to Play it Safe Around Electricity.**



**Don't leave lights unattended.**

Never leave your Christmas tree lights or outdoor decorative lights unattended. Be sure to unplug them when you go to bed or leave the house. Another wise safety precaution is to check all outdoor and tree lights BEFORE you decorate. Discard strands with frayed wiring and replace burned out bulbs.

**Never overload circuits.**

Avoid overloading electrical wiring by using more than one circuit for your Christmas tree lights. Use heavy-duty extension cords to run to other circuits.

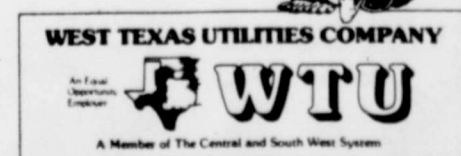
**Avoid hanging ornaments on lights.**

Make sure paper ornaments and tinsel do not touch light bulbs. Also, never adjust outdoor or tree lights while they are turned on or connected to a power circuit.

Always use a wooden ladder or a metal one with rubber-tipped legs when installing outdoor lights. Be sure to stand on a dry surface.

**Look for the U.L. seal of approval.**

Only buy lights that have been checked for safety. The Underwriter's Laboratory's seal of approval is your guarantee that lights and wiring have been properly safety checked.



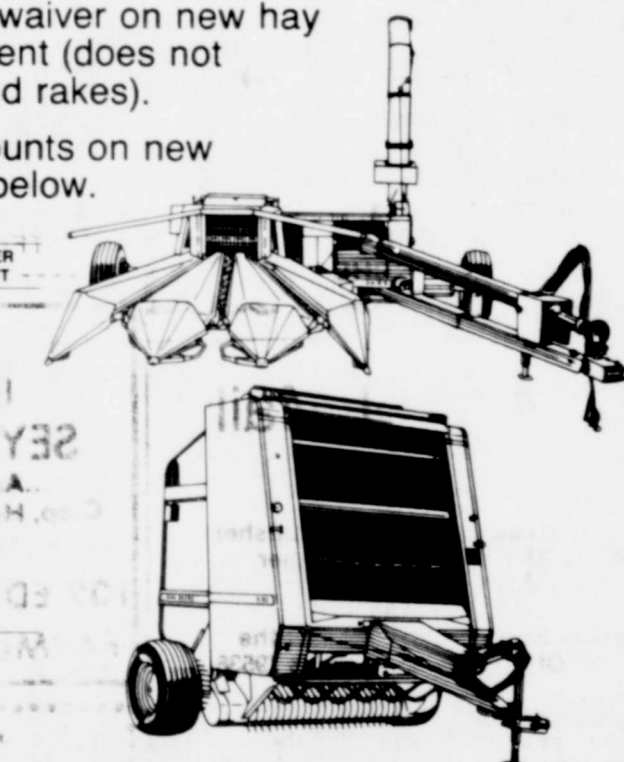
**Pick up your FREE Holiday Delights Recipe Book At Your Local WTU office.**

**Interest-Free Until September 1**

*Extended waiver lets you save even more on new John Deere Hay and Forage Tools*

- Now's the time to save big on new and used hay and forage equipment.
- Interest-free financing\* until September 1, 1986 on new and used hay and forage equipment.
- Discount in lieu of waiver on new hay and forage equipment (does not include mowers and rakes).
- Big customer discounts on new equipment shown below.

EQUIPMENT	CUSTOMER DISCOUNT
Round Balers	\$ 400
Square Balers	400
PTO Forage Harvester	
Model 3940	850
Model 3960	850
Model 3950	500
Model 3970	500
Model 4720	500
Mower Conditioners (except 1424)	450
Model 1424	1000
Self Propelled Windrowers	
Model 2320 (grain only)	2500
Model 2420 (grain only)	2500
Model 2320 (auger platform)	2500
Model 2420 (auger platform)	2500
Model 2280 (auger platform)	3000
Model 3430	650
Model 3830	650

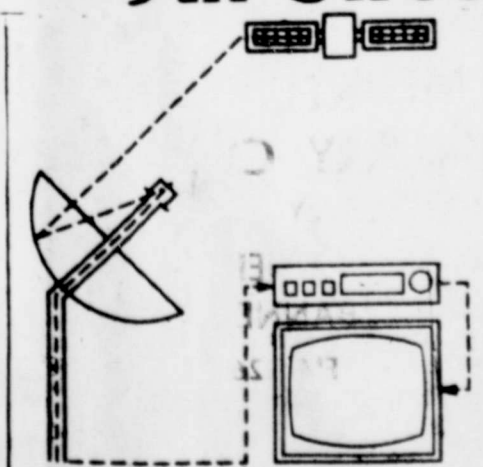


\*Availability of this financing subject to approval of credit. These offers may be withdrawn at any time.

**Abilene Farm Supply**  
3526 South Treadaway 692-2255

**9th Street & Satellite Sales**

1207 South 9th Street  
★ WE HAVE SPECIALS ON ALL SATELLITE TELEVISION SYSTEMS



The flow of television signals from outer space to the screens of your TV set is controlled and enhanced every step of the way by a Uniden® Satellite Television System.  
★ PURCHASE NOW FOR CHRISTMAS



**99¢**  
2 LITER



# CARSON'S

## keeps a TIGHT REIN



PRICES GOOD THUR-FRI-SAT DEC. 5, 6 & 7 STORE HOURS 7:30 a.m. - 6:30 p.m. MON THRU SAT CLOSED SUNDAY

**BORDENS ICE CREAM**  
1/2 GAL CRTN \$1.69

**CREAMY CRISCO**  
3 LB CAN \$1.98  
1 LIMIT  
WITH \$15 IN TRADE OR MORE EXCLUSIVE OF CIGARETTES

**PARADE LARGE EGGS** DOZ **79¢**

CAMPBELL'S NO. 1 CAN  
**NACHO CHEESE DIP** 69¢

WICKER 2 ALARM  
**CHILI MIX** PKG \$1.39

COMSTOCK NO. 2 CAN  
**APPLE PIE FILLING** EA \$1.19

7 UP OR ASSORTED  
**CocaCola**

**BANQUET CHERRY PEACH OR APPLE PIE** 20 OZ \$1.23

**PARKAY OLEO**  
QUARTERS LB **59¢**

DEL MONTE 46 OZ  
**PINEAPPLE JUICE** CAN \$1.29

2 LITER BOTTLE **93¢**

**MORTON 14 OZ BOX GLAZED DONUTS** \$1.39

DEL MONTE 303 CS  
**GOLDEN CORN** 2 FOR **93¢**

COOKING OIL  
**CRISCO**

PATIO ASST MEXICAN **DINNERS** PKG \$1.29

**KRAFTS AMERICAN CHEESE**  
1/2 MOON 16 OZ PKG **\$2.49**

DEL MONTE 303  
**MIXED VEGETABLES** 2 FOR **89¢**

64 OZ JUG **\$2.69**

BRIGHT & EARLY 12 OZ CAN  
**ORANGE JUICE** EA **59¢**

DEL MONTE 303  
**SLICED CARROTS** 2 FOR **89¢**

TEA BAGS  
**LIPTON**  
24 CT BOX **\$1.89**

STILWELL CHUNRIE STEW 20 OZ BAG **98¢**

**PILLSBURY FRENCH LOAF BREAD**  
11 OZ CAN **98¢**

BETTY CROCKER  
**POTATO BUDS** 13.9 OZ BOX **93¢**

ROTEL NO. 1  
**AND GREEN CHILIES** 2 FOR **98¢**

RANCH STYLE 300  
**PORK & BEANS** 2 FOR **73¢**

GLADIOLA

SWISS MISS 12 CT **HOT COCOA MIX** BOX **\$1.39**

ARMOURS  
**LUNCHEON MEATS**

**TREET**

12 OZ CAN **\$1.19**

PARADE  
**WAFFLE**

**SYRUP**

32 OZ JUG **89¢**

**FLOUR**

5 LB BAG **89¢**

**MAYONNAISE**

LIGHT OR REG 32 OZ JUG **\$1.59**

**COFFEE**

2 LIMIT  
1 LB CAN **\$1.79**

**YOUNG LEAN PORK ROASTS**  
BEST by TASTE



DAIRYLAND HOMO

**MILK**

GAL JUG **\$1.93**

DAIRYLAND

LOW FAT

**MILK**

GAL JUG **\$1.85**

BETTY CROCKER

**CAKE MIXES** ASST BOX **79¢**

**ORANGES**



CALIFORNIA NAVEL 4 LB BAG

**\$1.39**

GARYS  
**CORN DOG**  
10 CT PKG **\$2.79**

FRESH LEAN FAMILY PACK  
3 LBS OR MORE **\$1.49** POUND

FOREMOST COTTAGE **CHEESE** 24 OZ CRTN **\$1.59**

FOREMOST BUTTER **MILK** 1/2 GAL JUG **\$1.09**

KELLOGS EXTRA FIBER  
**ALL BRAND** "IT'S NEW" BOX **\$1.29**

FRESH LEAN  
**PORK CHOPS** END CUTS POUND **\$1.39**

PLANTERS **CHEESE BALLS** 5 OZ CAN **83¢**

FRESH LEAN CHUCK QUALITY  
**GROUND BEEF** FAMILY PACK 3 LBS OR MORE **\$1.39** LB

KRAFTS 7 OZ  
**MARSHMALLOW CREAM** JAR **63¢**

FRESH LEAN  
**PORK CHOPS** CENTER CUT LB. **\$1.79**

MORRISONS 6 OZ  
**CORNBREAD MIX** 2 FOR **49¢**

PARADE NO. 1  
**BACON** POUND **\$1.75**

AMERICAN  
**SPAGHETTI** 24 OZ BAG **98¢**

GOOCH BRAND  
**FRANKS** ALL MEAT 12 OZ PKG **99¢**

STARKIST  
**TUNA**

6 OZ CAN **69¢**

PARADE  
**MUSTARD**

SQUEEZE 16 OZ JUG **59¢**

GOOCH BRAND MARKET SLICED  
**BOLOGNA** LB **\$1.19**

CHORIZO LINK MEXICAN  
**STYLE SAUSAGE** LB **\$1.39**

CALIFORNIA GREEN  
**AVACADOS** 2 FOR **49¢**

GOLDEN  
**BANANAS** LB. **25¢**

FRESH GREEN  
**CABBAGE** LB. **19¢**

WASHINGTON DELICIOUS  
**RED APPLES** 3 LB. BAG **\$1.19**

FRESH CELLO LB  
**CARROTS** 2 FOR **59¢**

SEEDLESS  
**RED GRAPES** LB. **69¢**

RISSET  
**SPUDS** 10 LB BAG **\$1.29**

PINESOL  
**CLEANER** 40 OZ JUG **\$2.89**

DETERGENT  
**RINSO** 61 BOX **\$1.29**

KLEENEX FACIAL  
**TISSUE** 150 CT BOX **75¢**

**DOUBLE GIFT BOND STAMPS**  
EACH WEDNESDAY  
ON 15 OR MORE IN TRADE

WE WELCOME FOOD STAMPS

**CARSON'S SUPER MARKET**  
MERKEL, TEXAS  
BEST MEATS IN TOWN